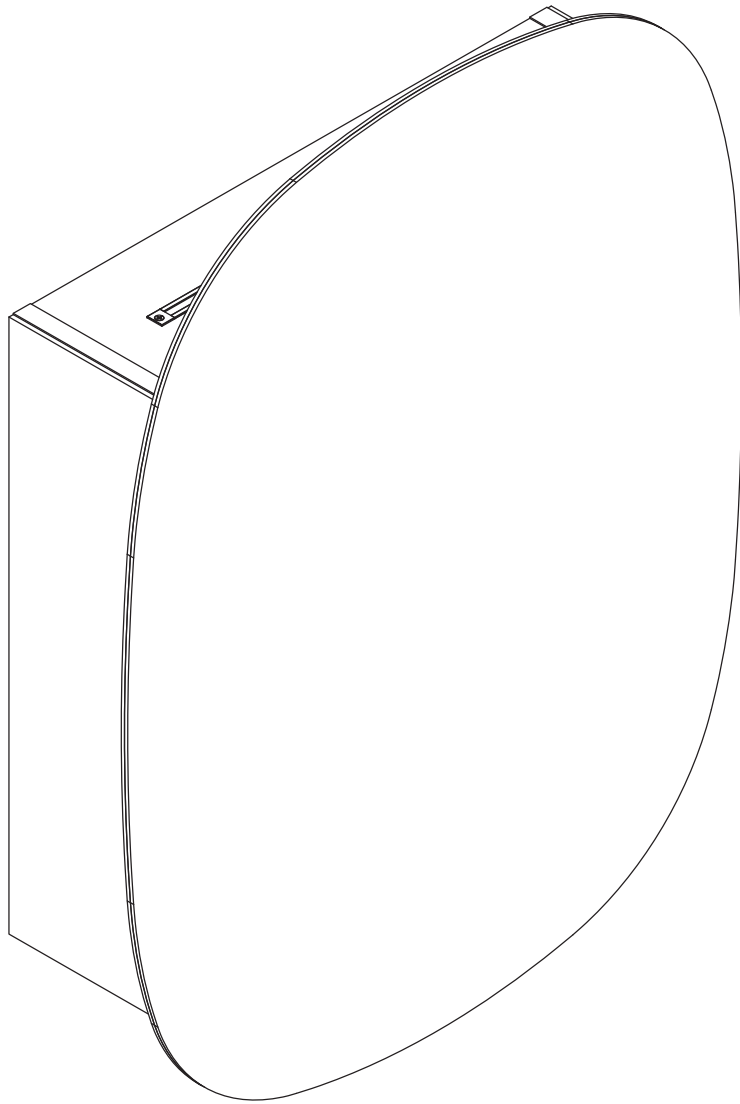
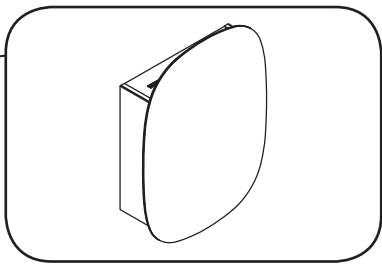




DANSANI
BATHROOM DESIGN





6x
5-500



2x
390010190



6x
5,0-60SU



6x
390010067



8x
415533



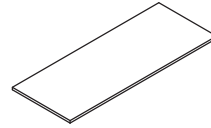
2x
190300766



2x
19500000



2x
190040150






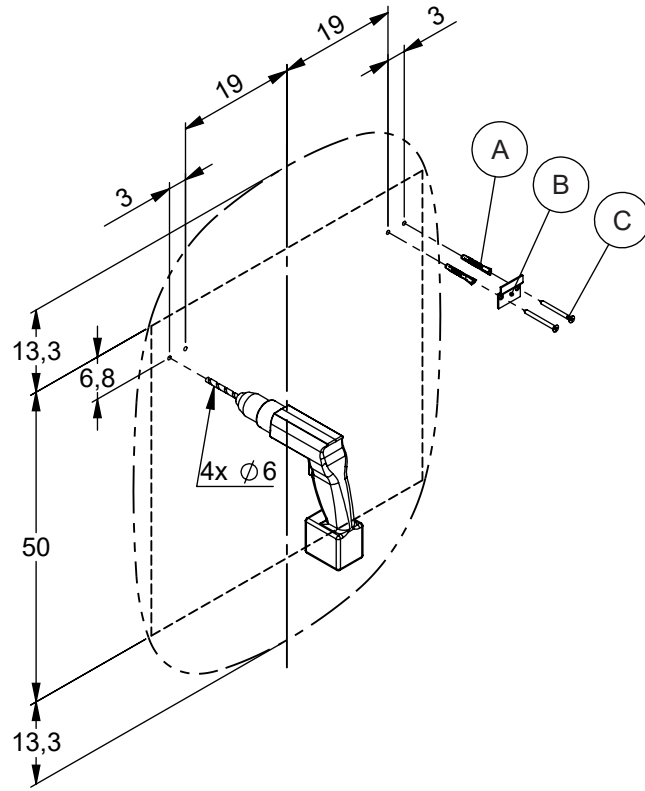
2x
820851101



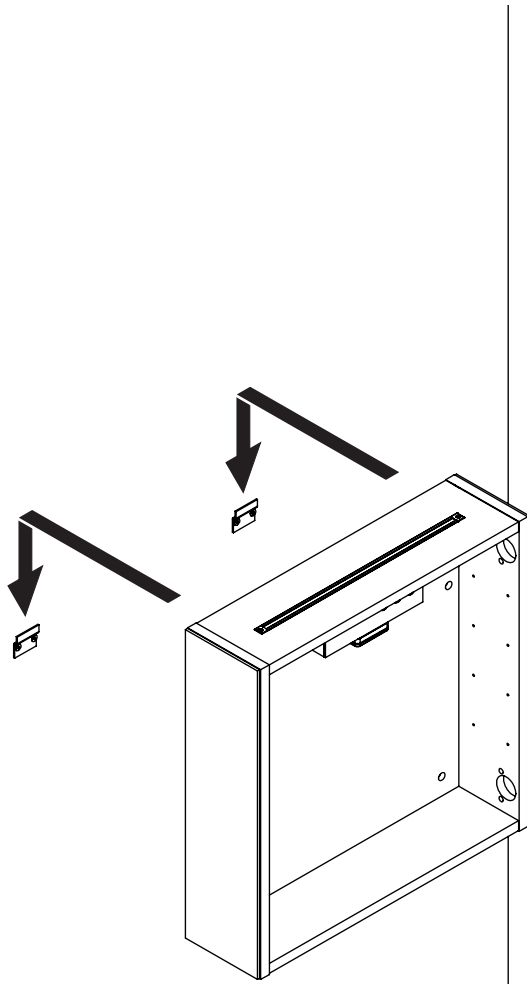
1x
190040310

1

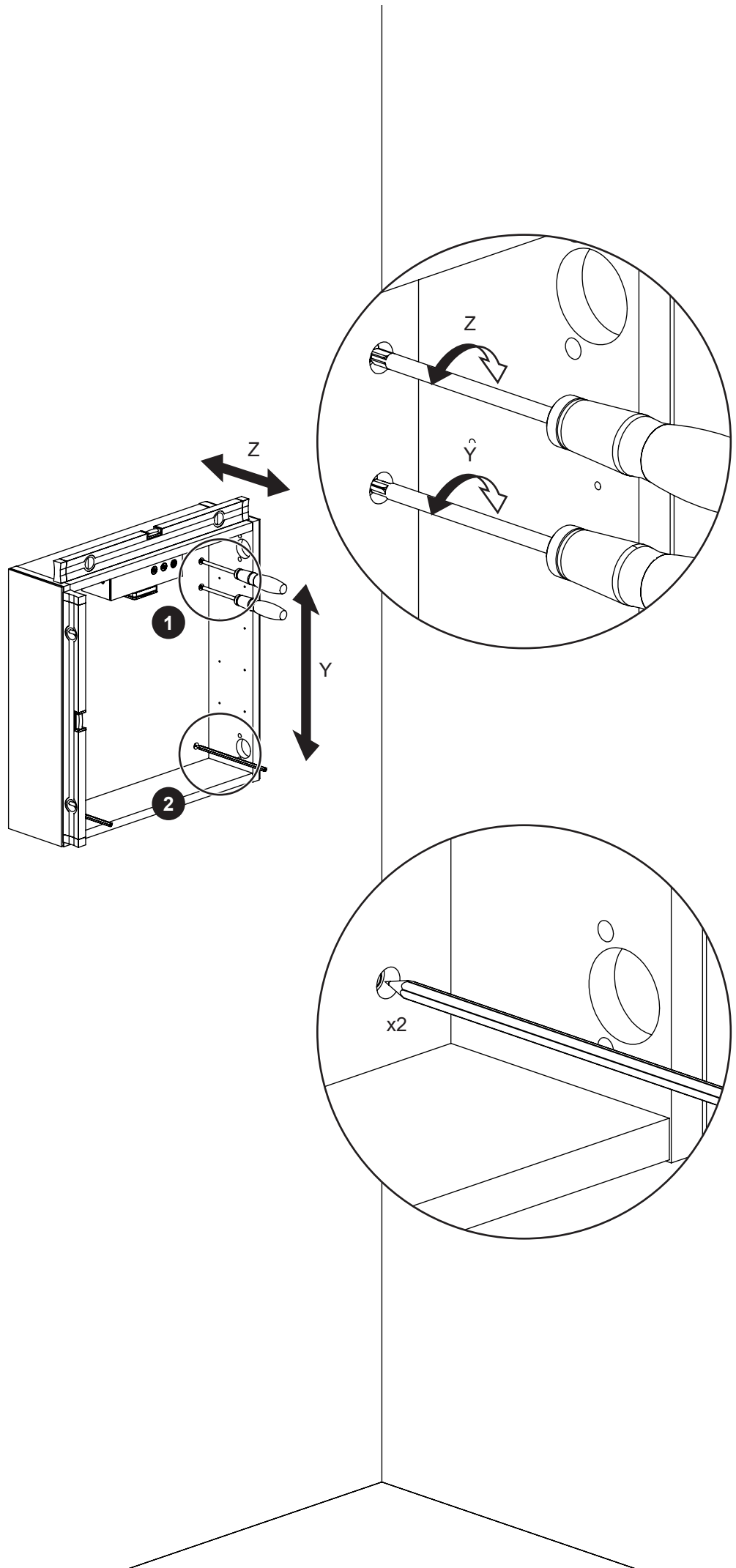
		
4x 5-500	2x 390010190	4x 5,0-60SU



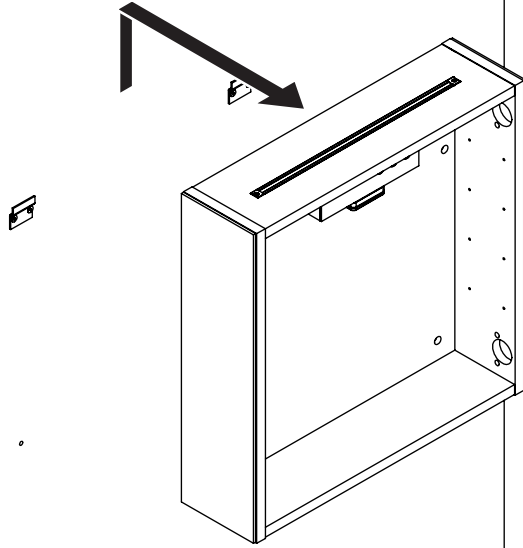
2



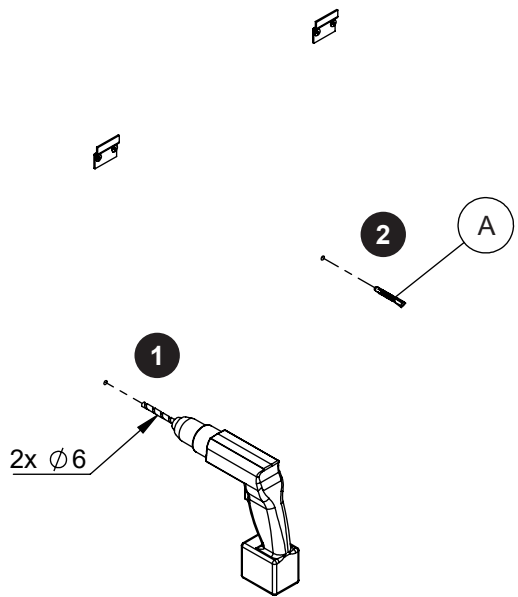
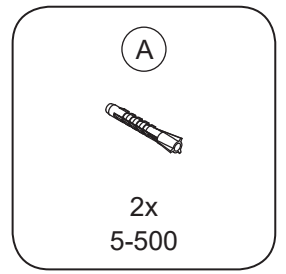
3

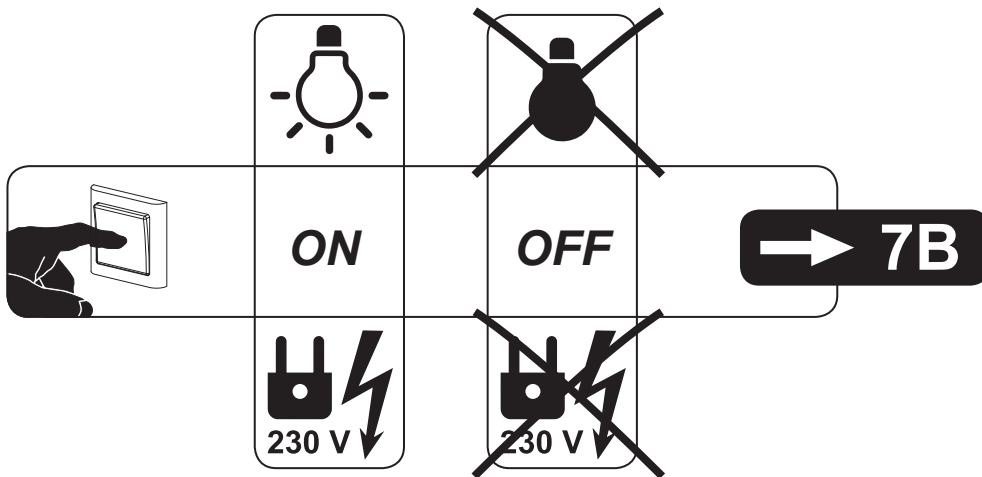
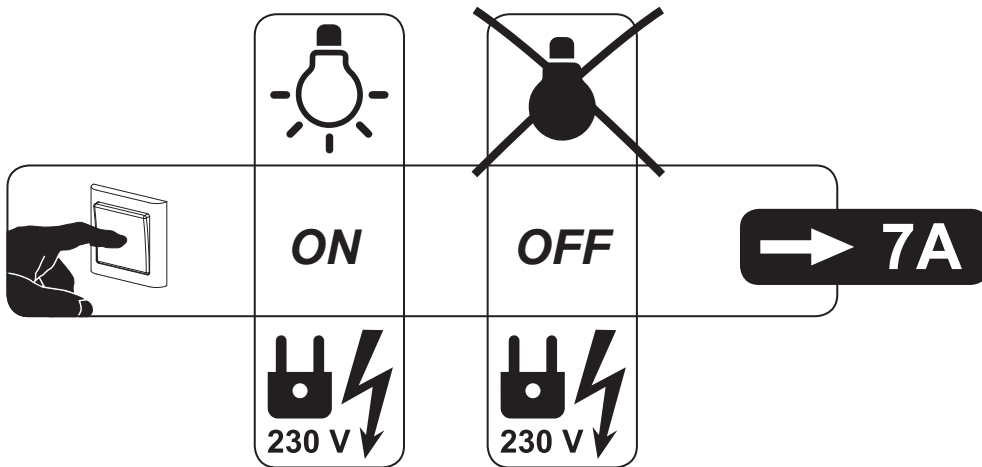
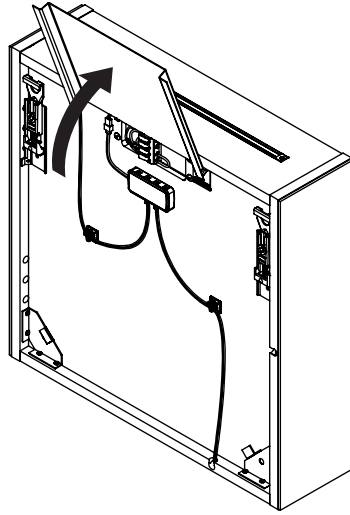


4

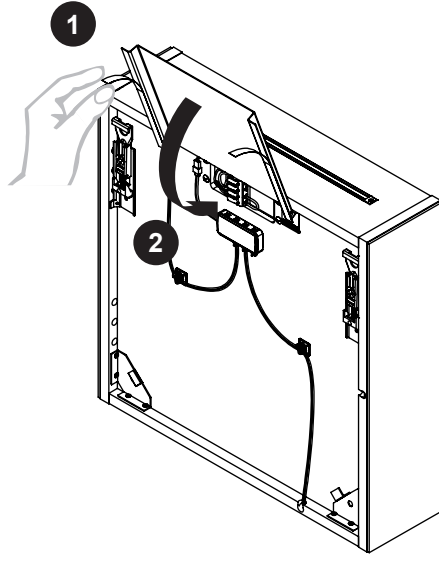


5

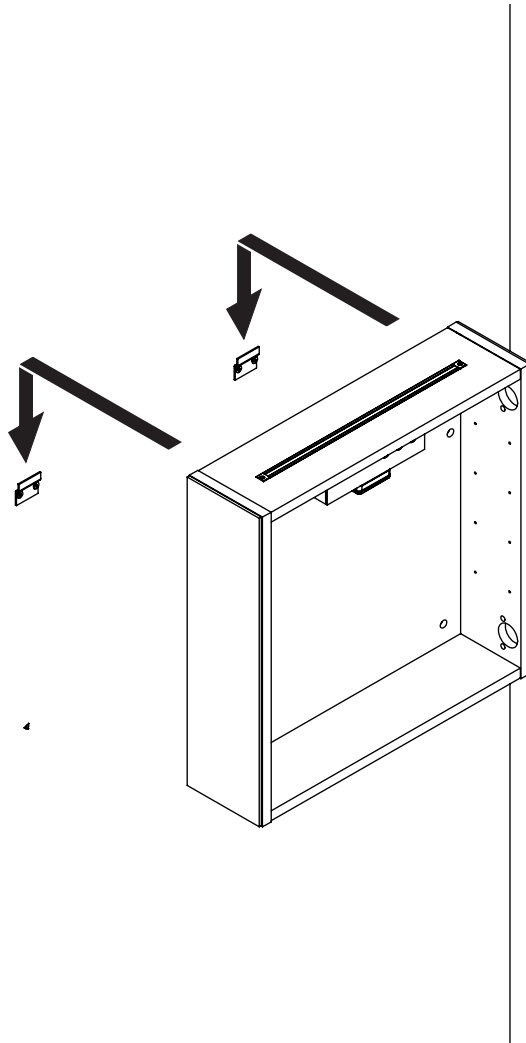




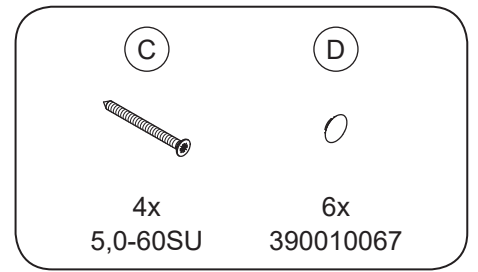
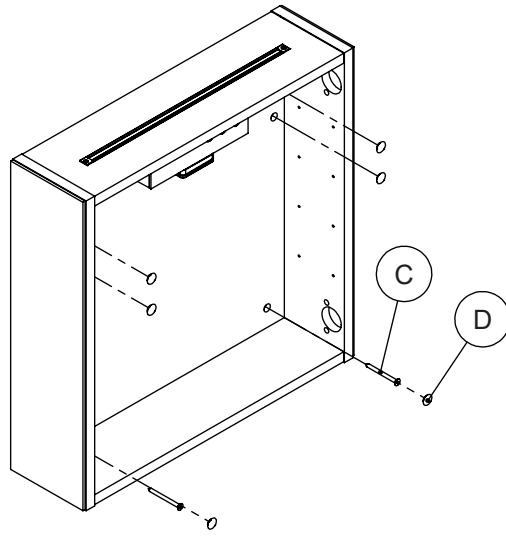
8



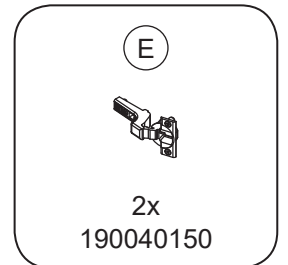
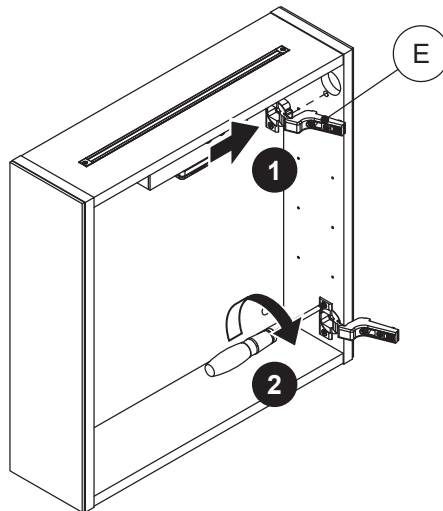
9




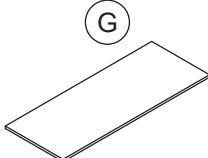
10

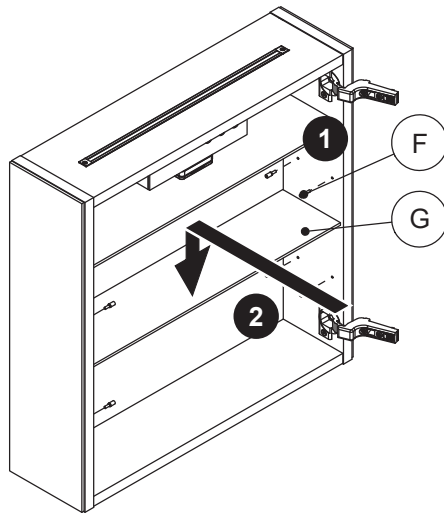


11

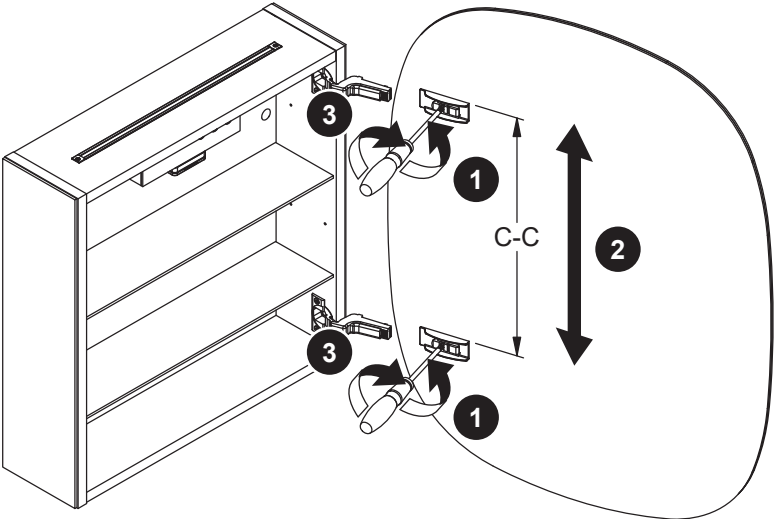
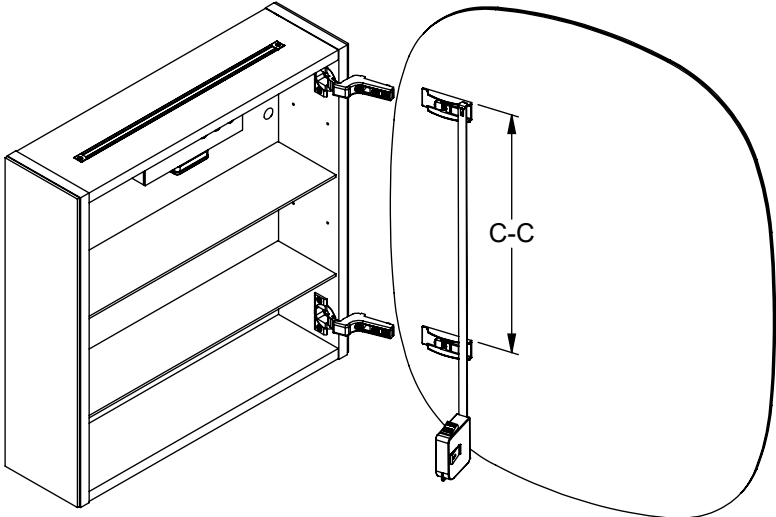
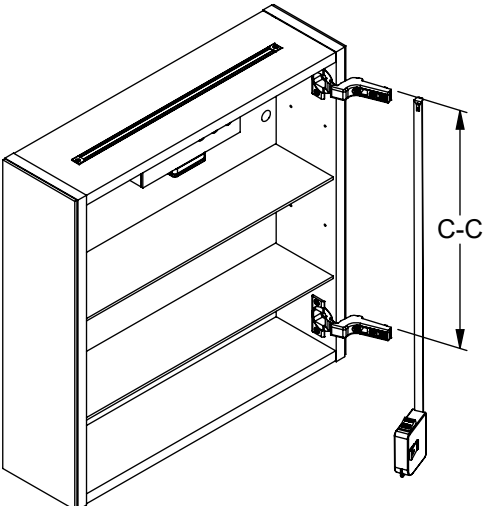


12

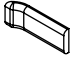
	
F	G
8x 415533	2x 820841301



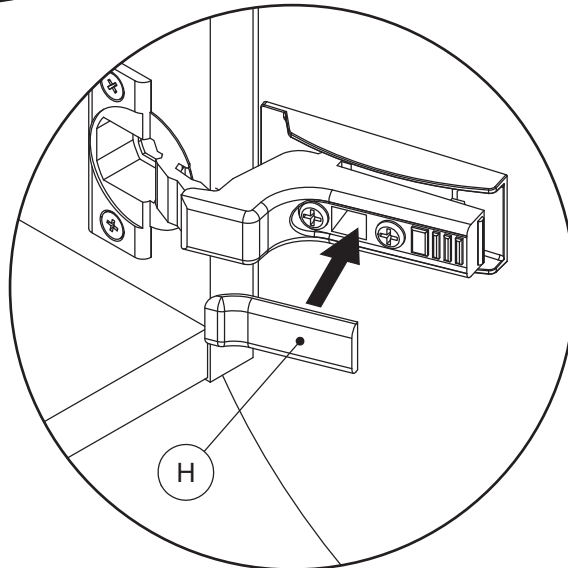
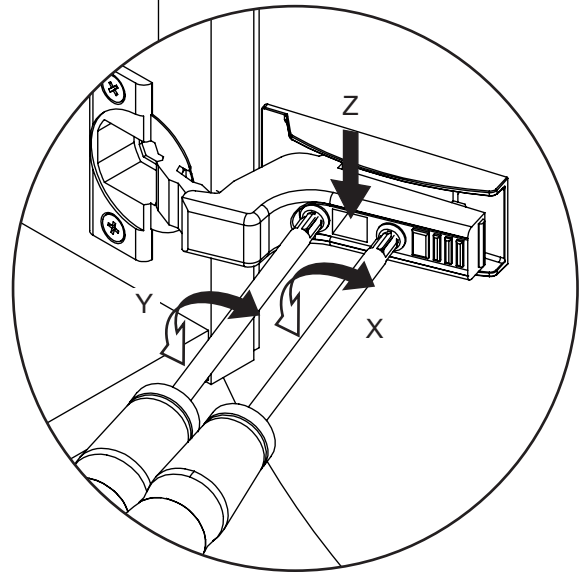
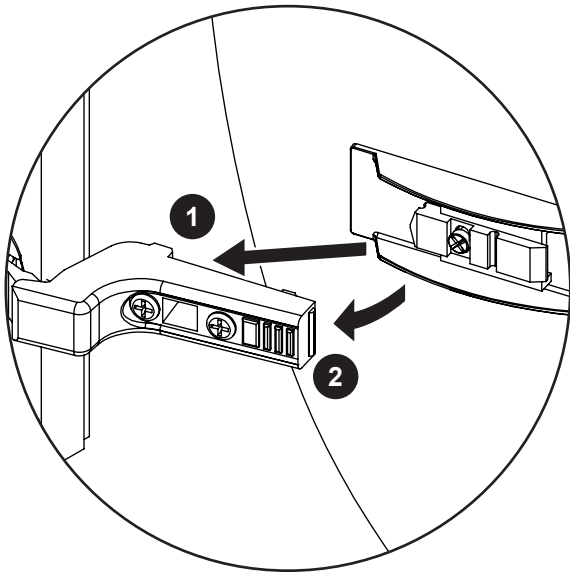
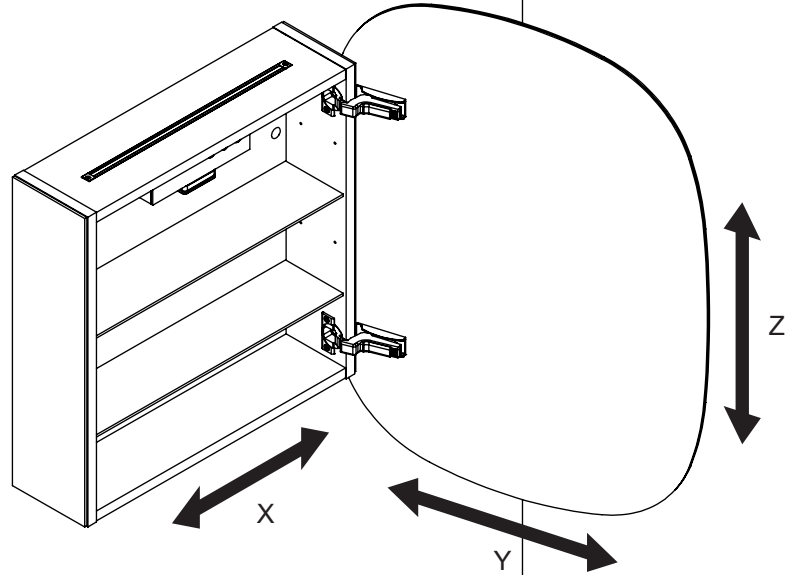
13



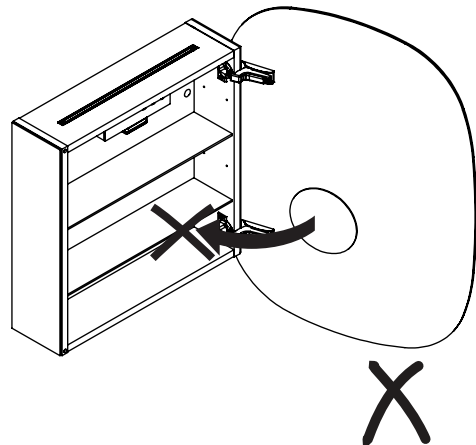
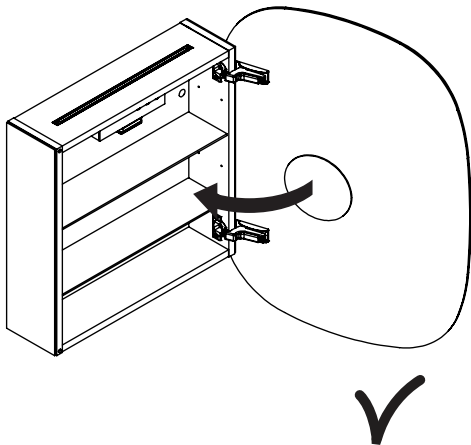
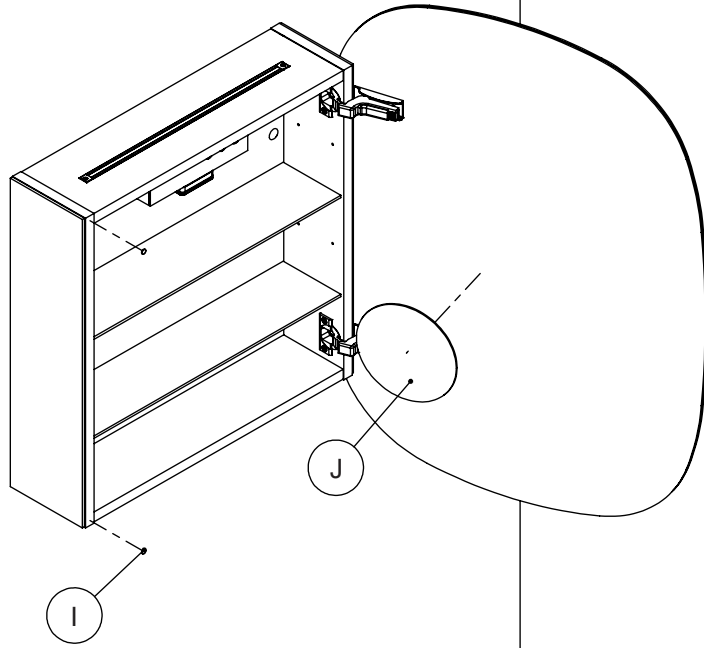
(H)



2x
190300766



Ⓢ	ⓙ
o	o
2x	1x
19500000	190040310



16

