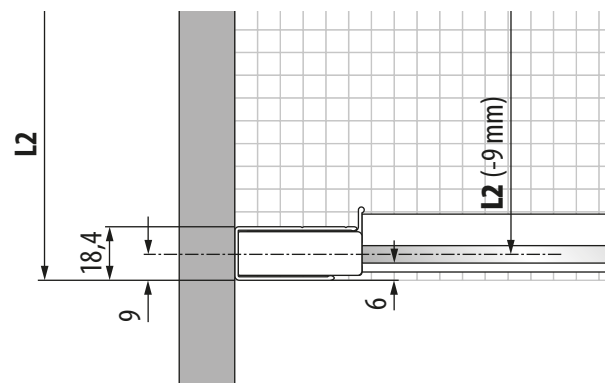
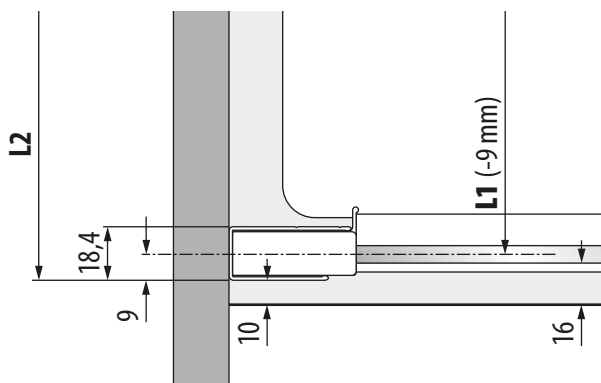
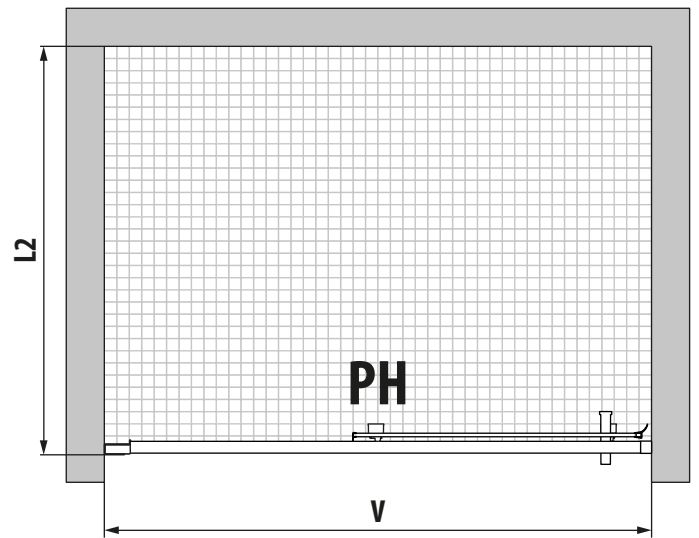
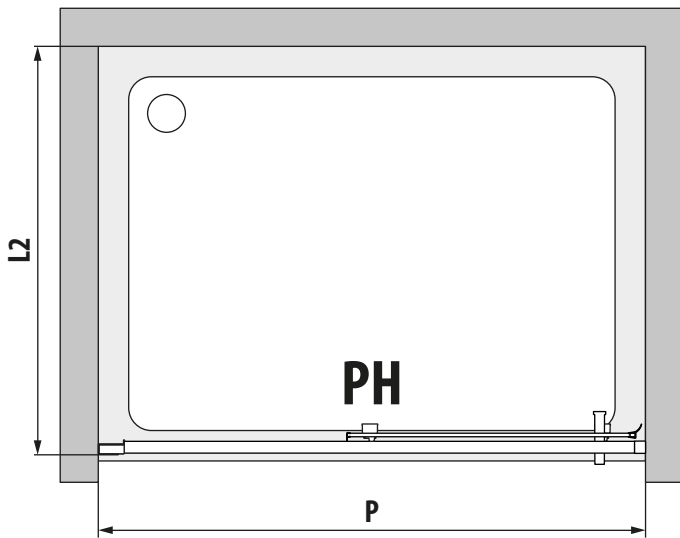
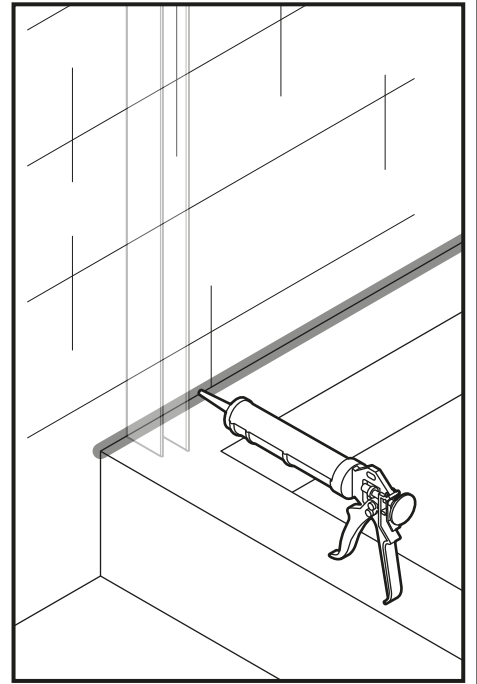
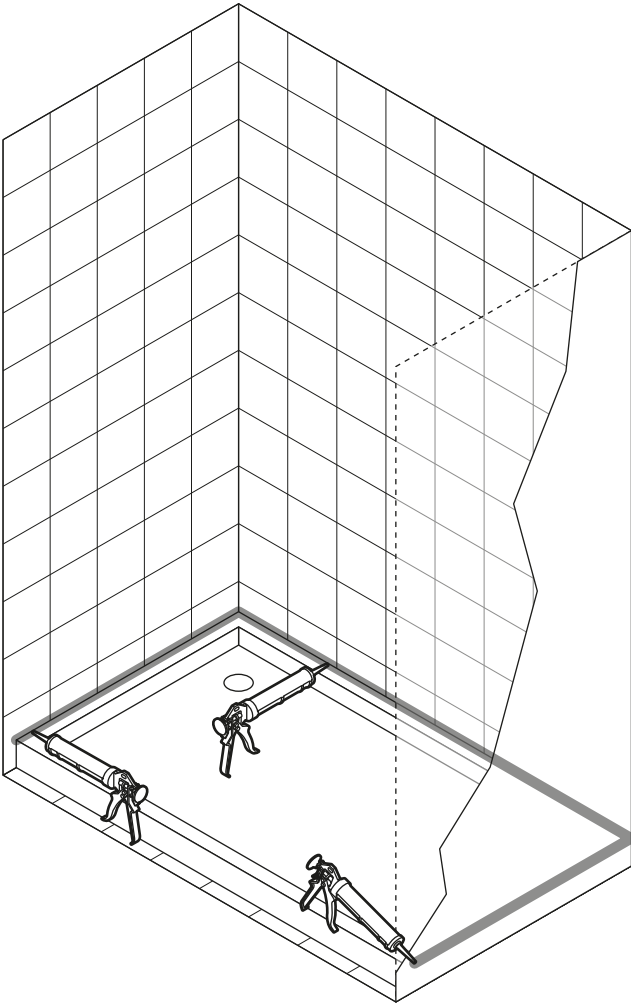


PH	P mm
96	960-990
114	1140-1170
116	1160-1190
126	1260-1290
136	1360-1390
146	1460-1490
156	1560-1590
166	1660-1690

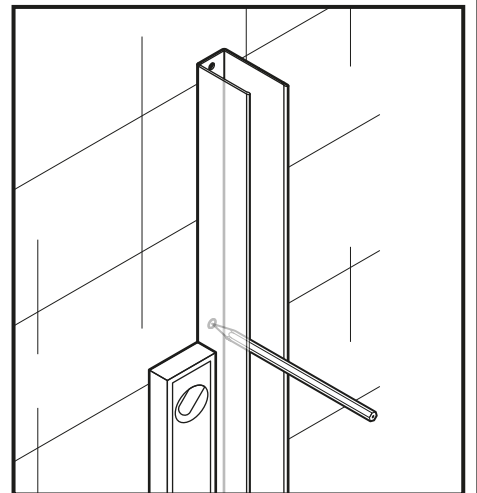
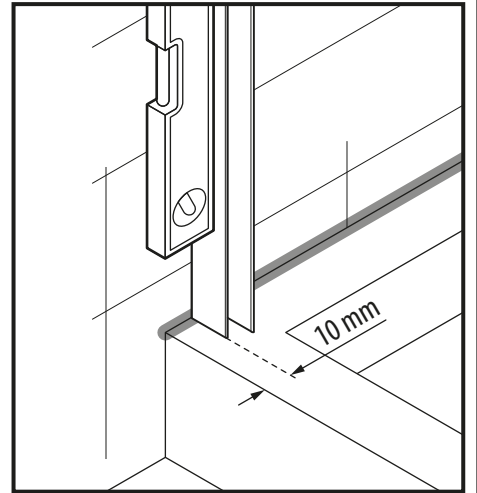
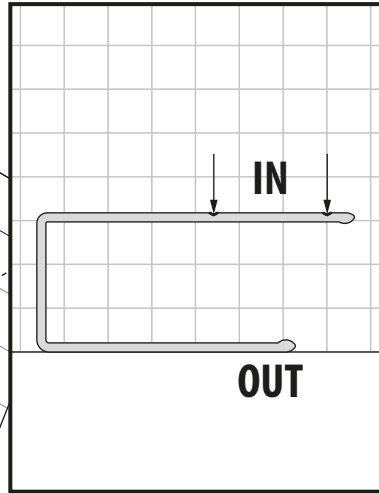
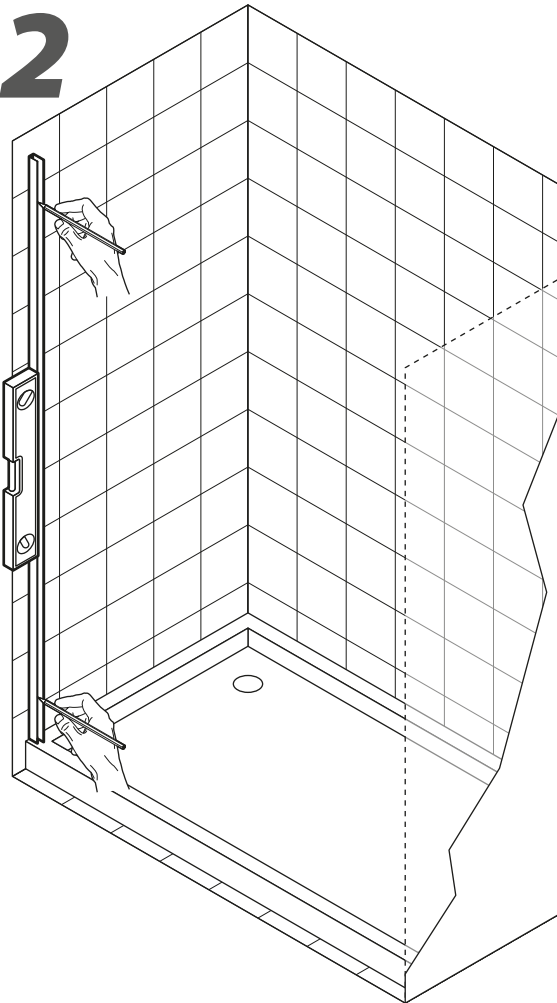
PH	V mm
96	960-990
114	1140-1170
116	1160-1190
126	1260-1290
136	1360-1390
146	1460-1490
156	1560-1590
166	1660-1690



1



2



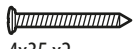
# 3

2°

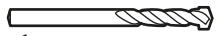
1°



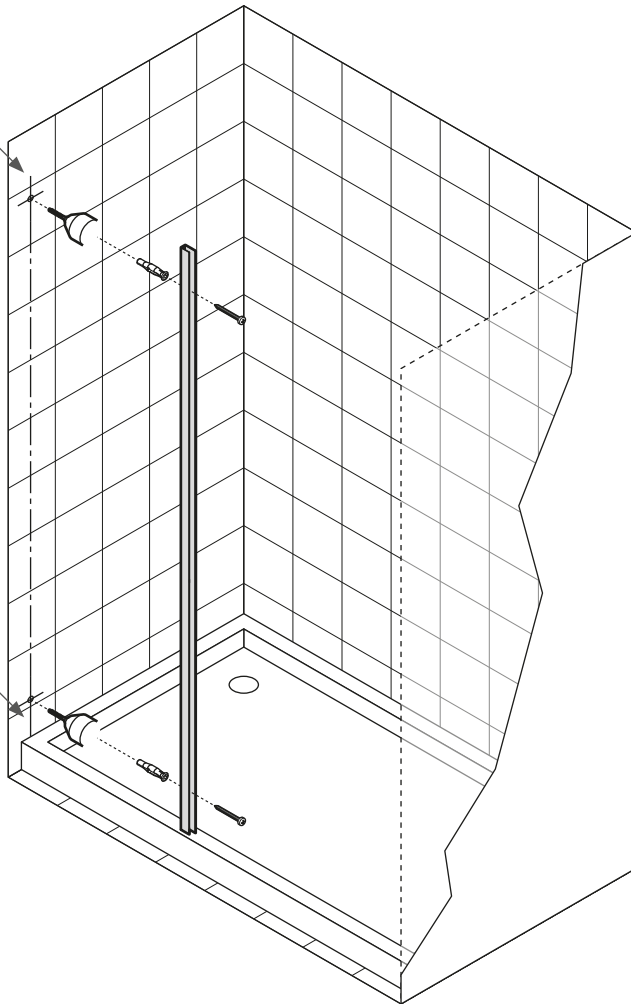
S6 x2



4x35 x2

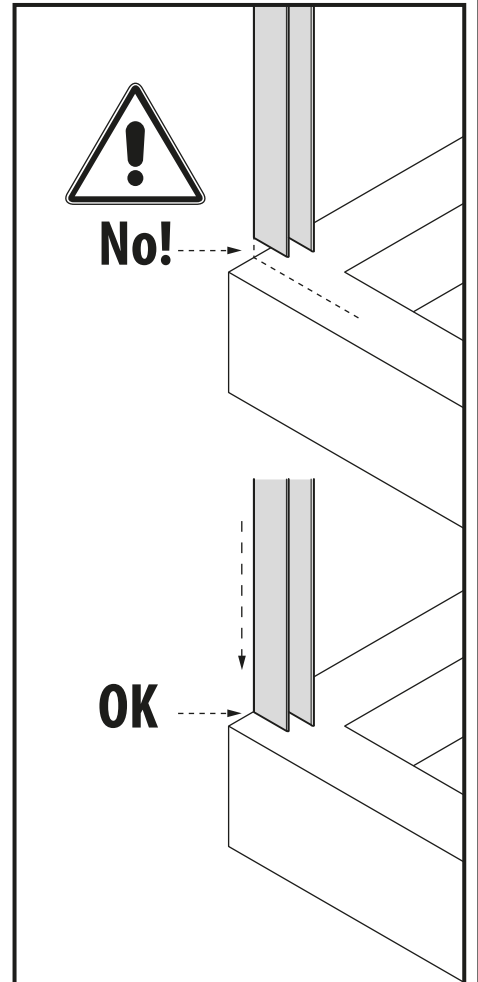


ø6 mm

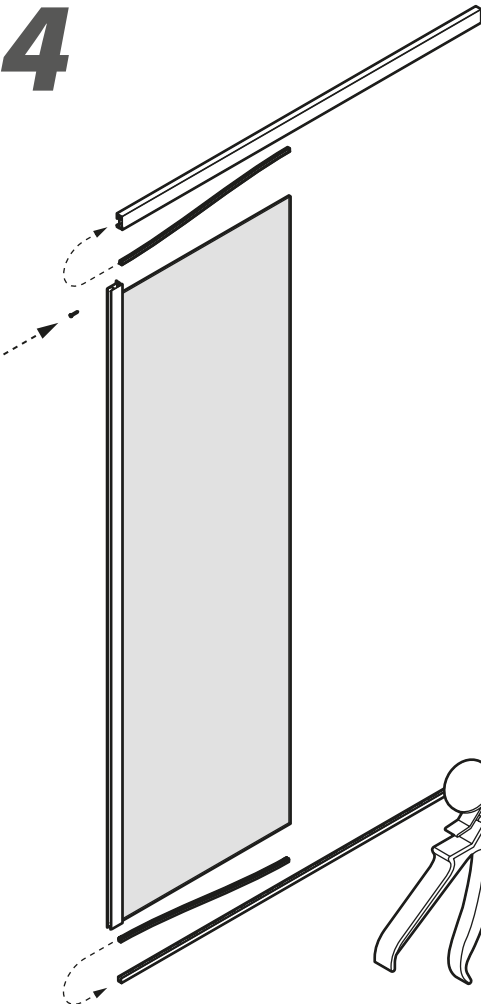


No!

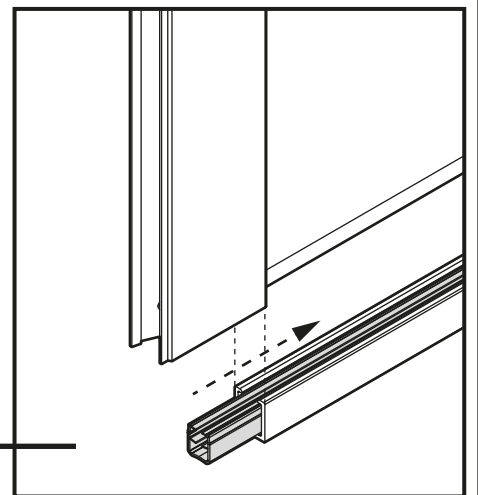
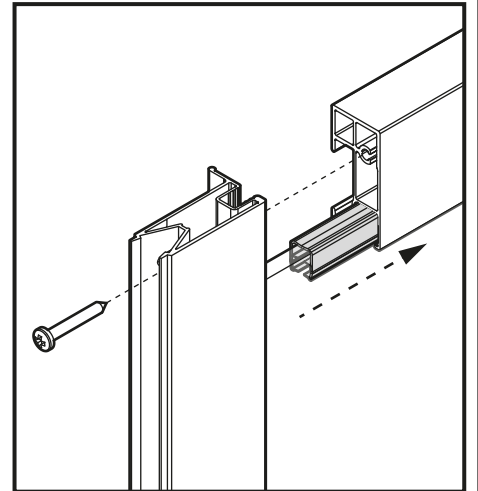
OK



# 4

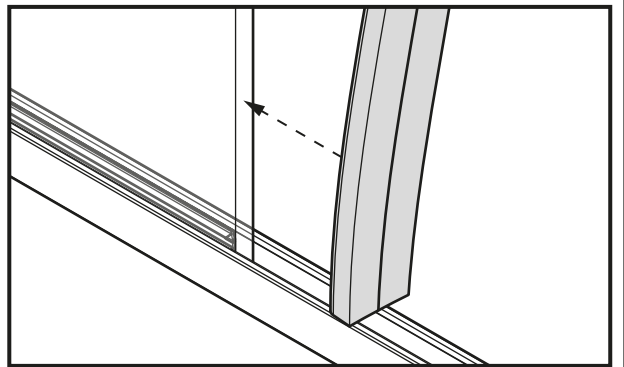
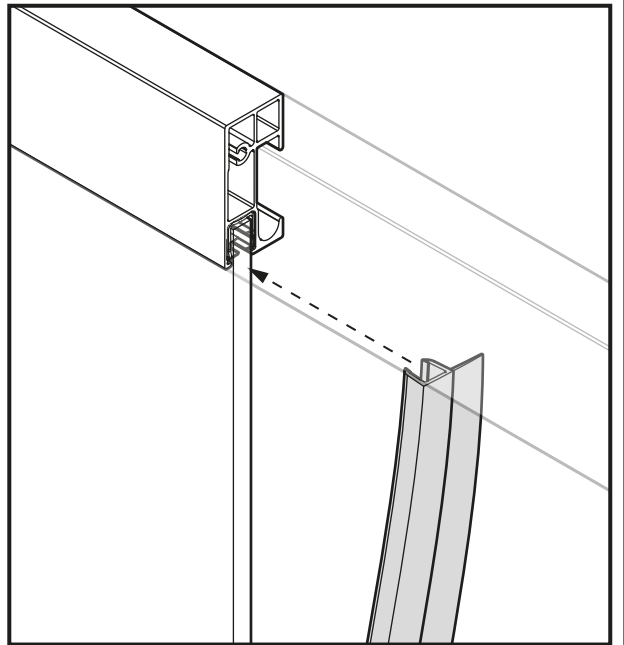
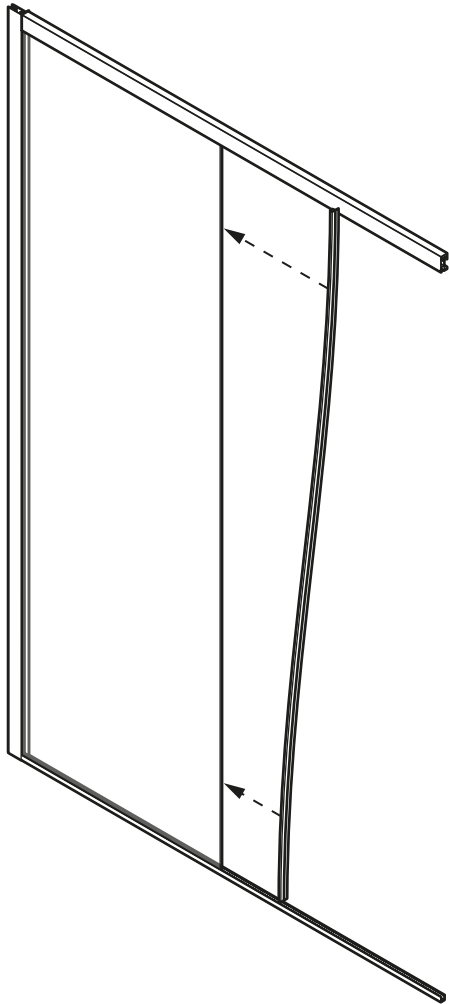


3,5x25 x1

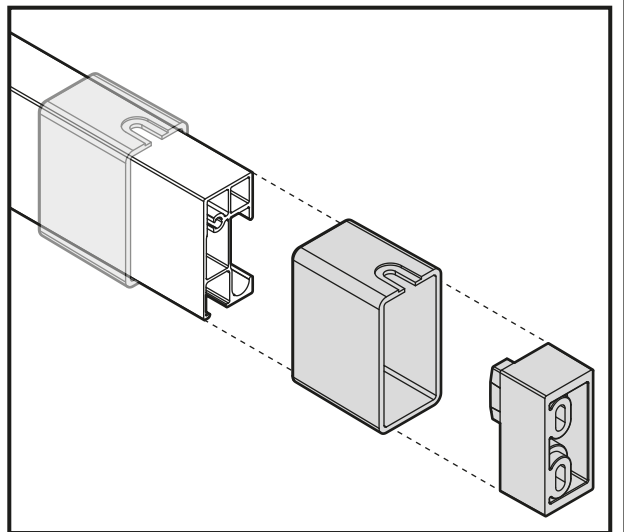
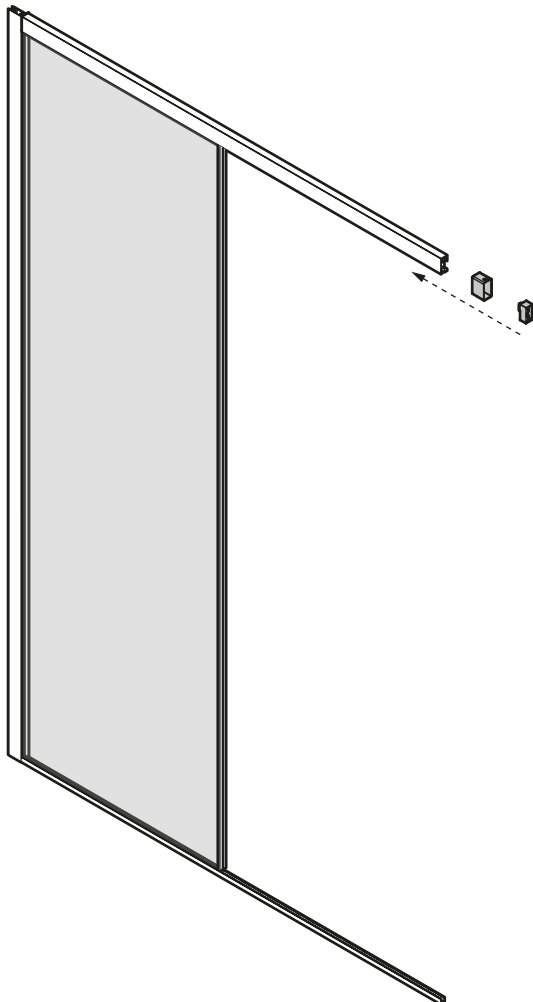


5

5



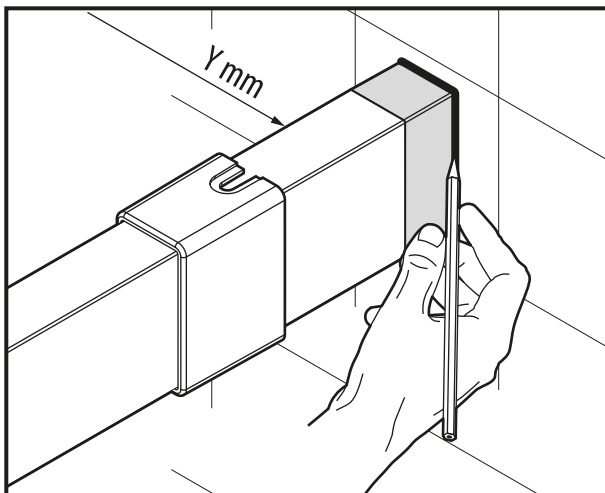
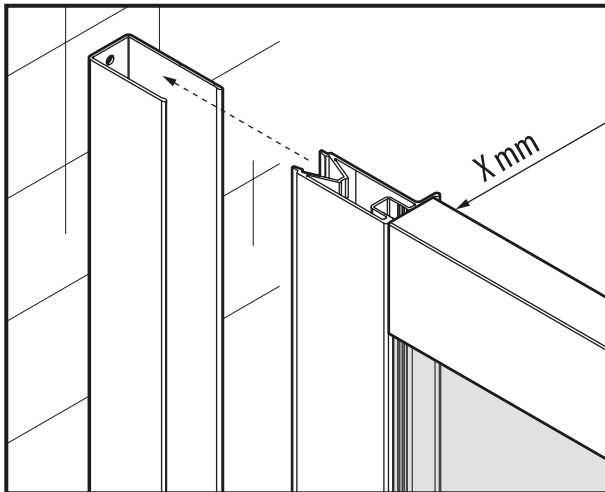
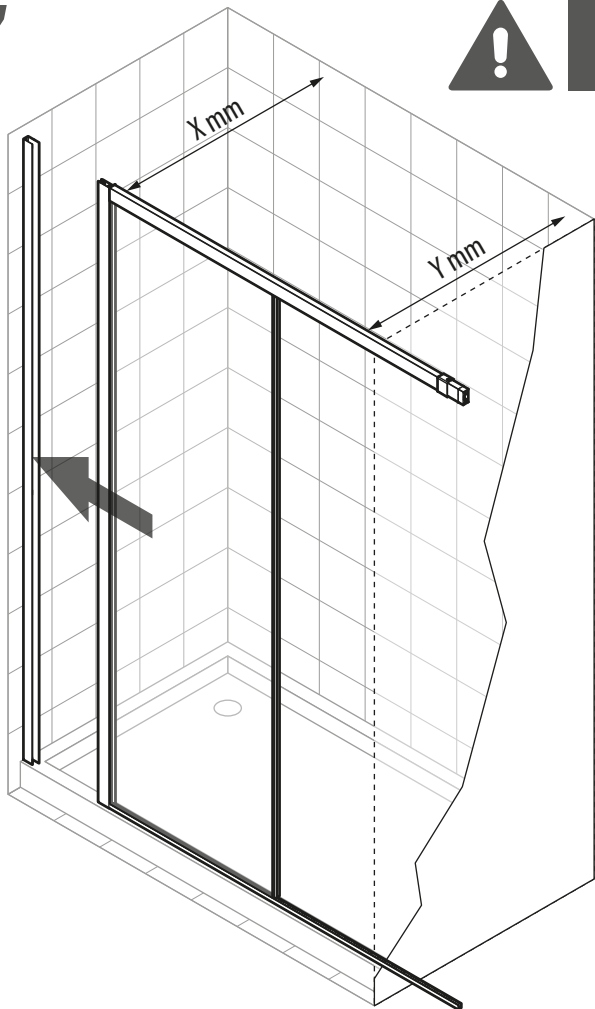
6



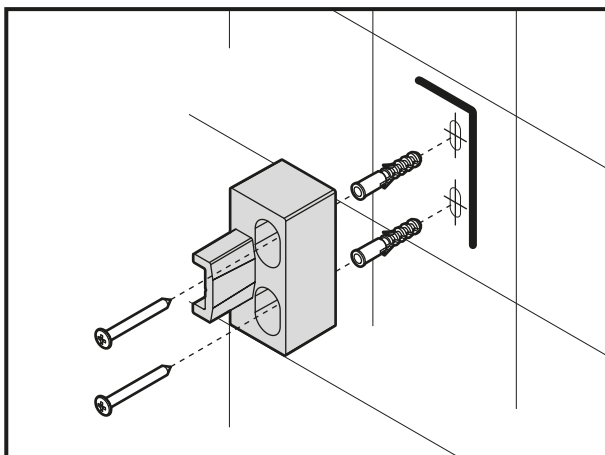
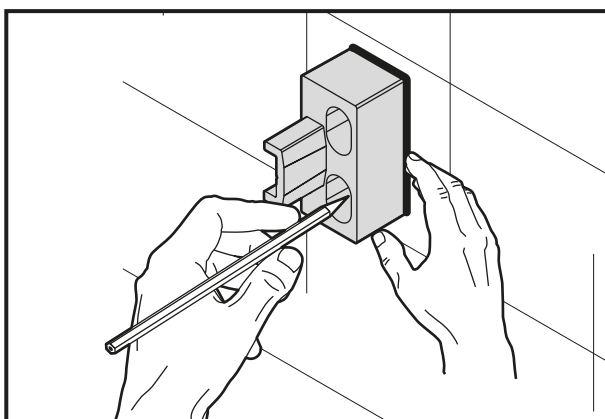
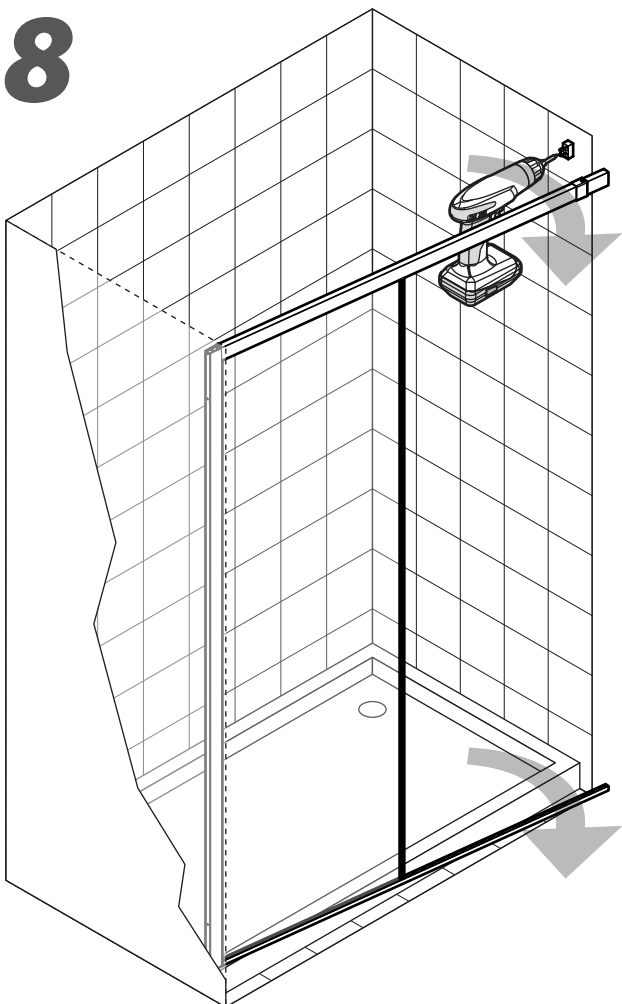
# 7



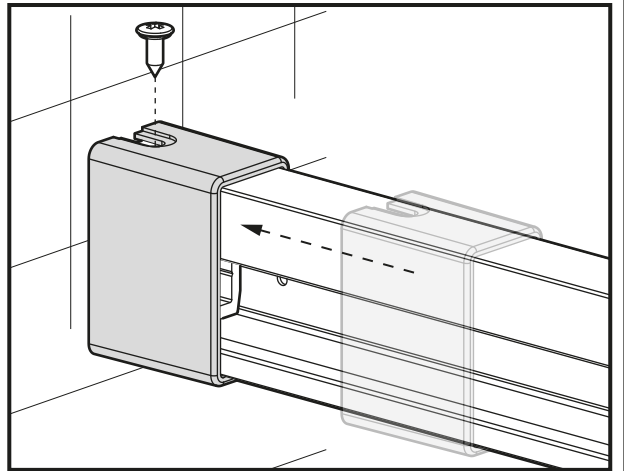
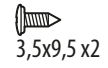
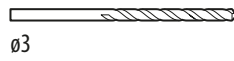
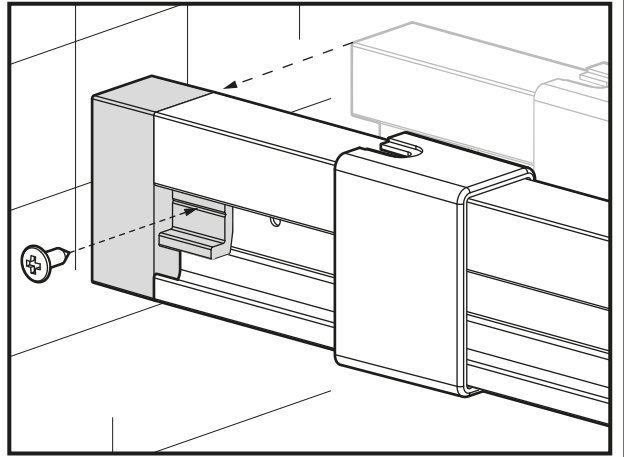
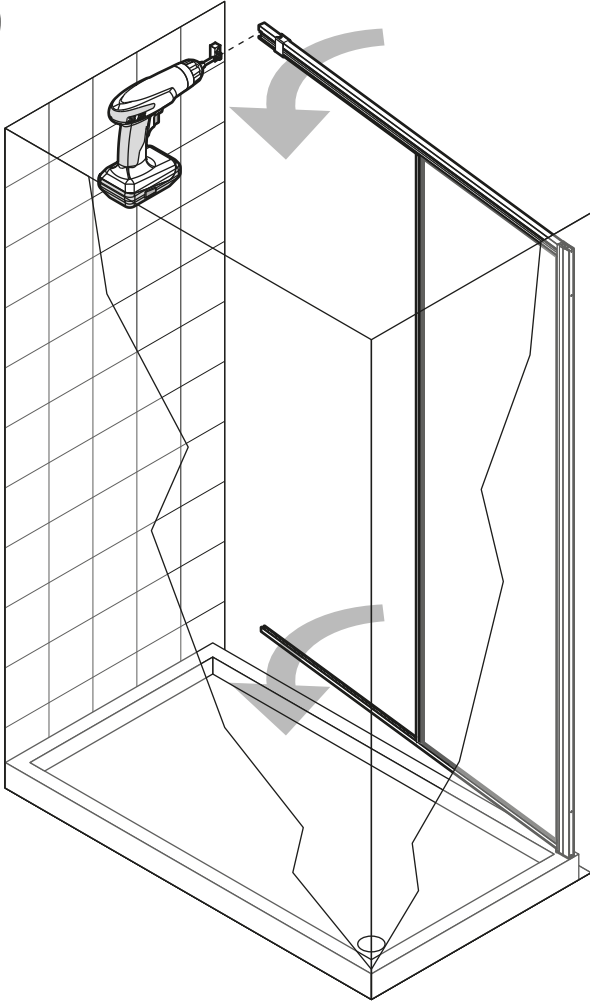
$X=Y$



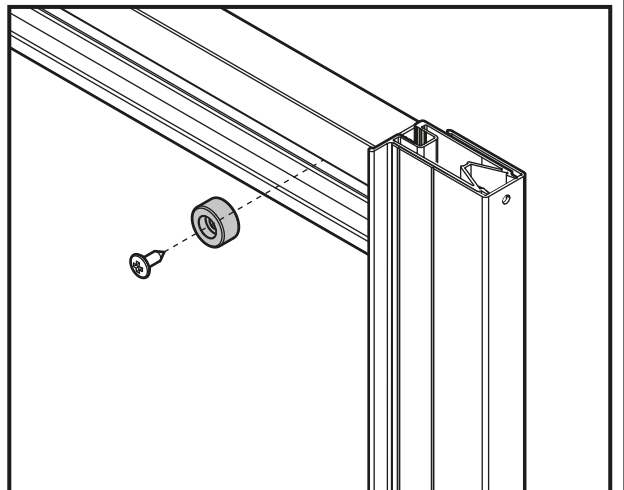
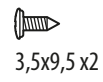
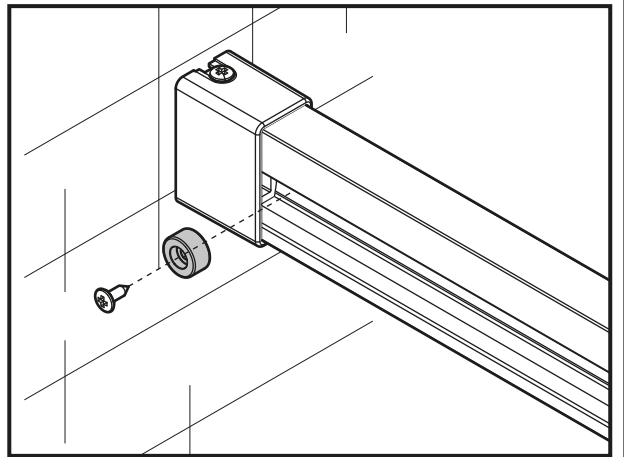
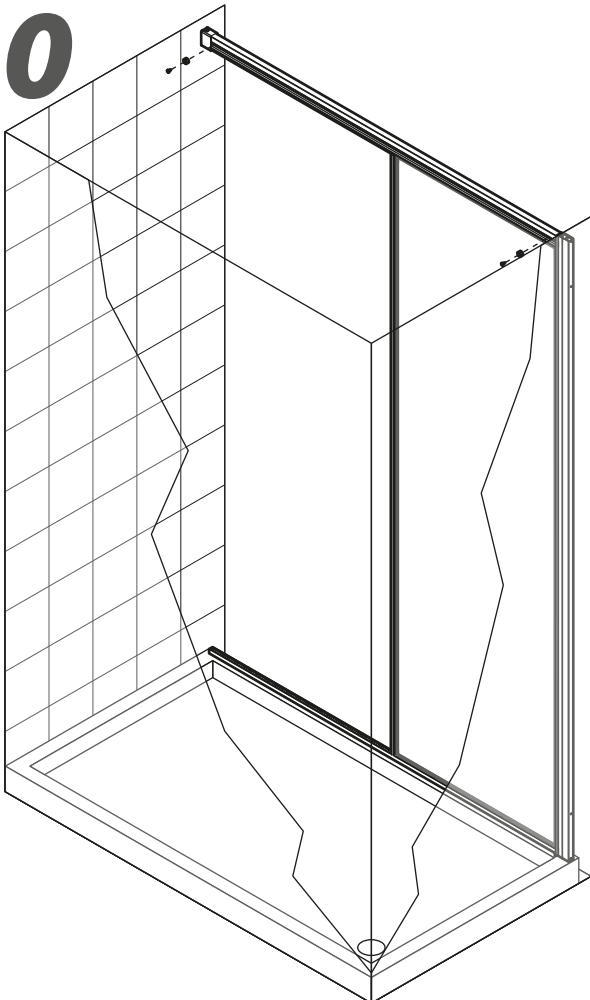
# 8



9

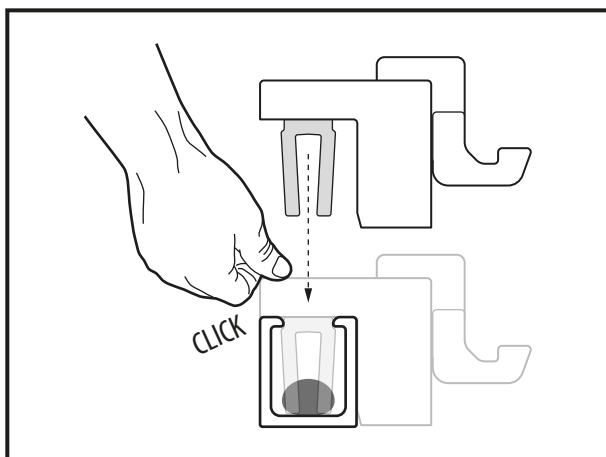
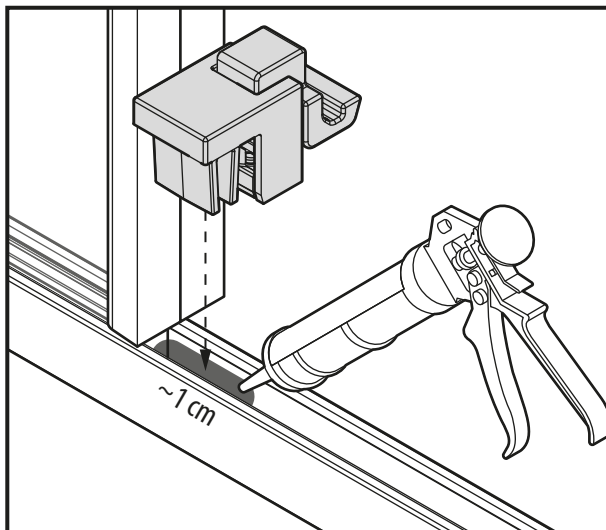
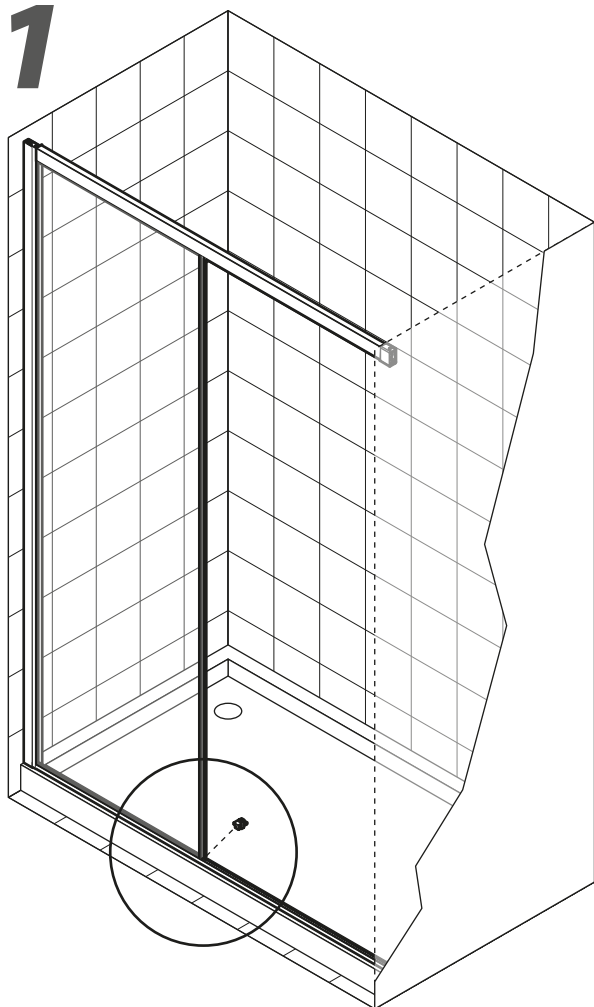


10

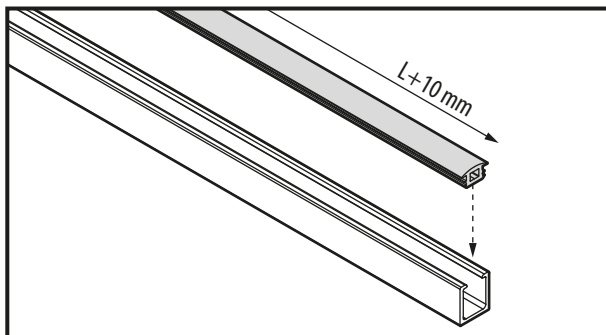
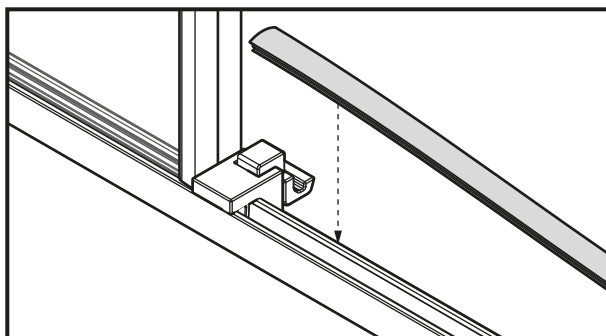
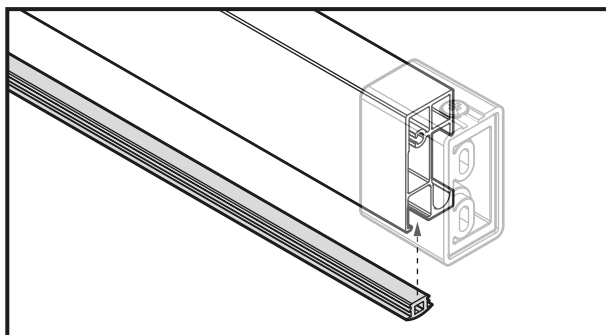
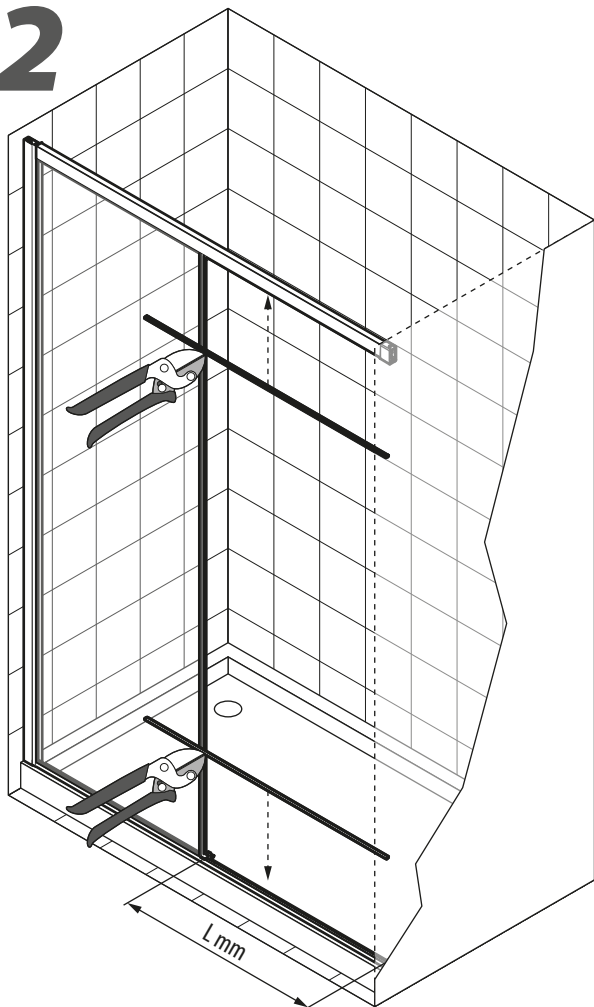




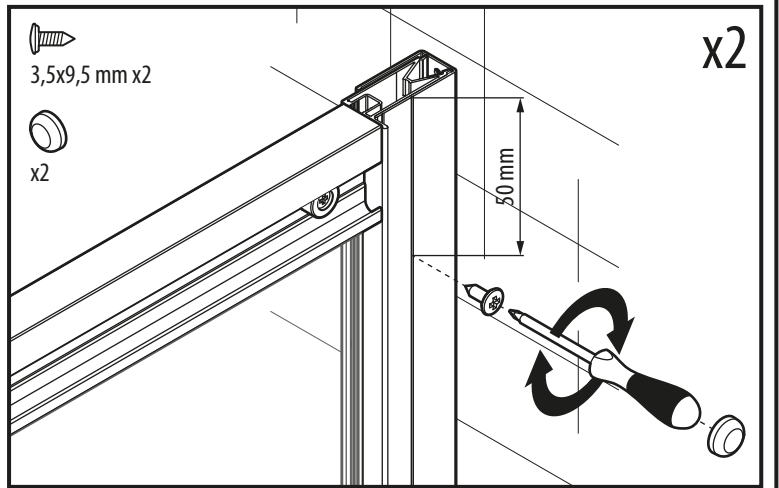
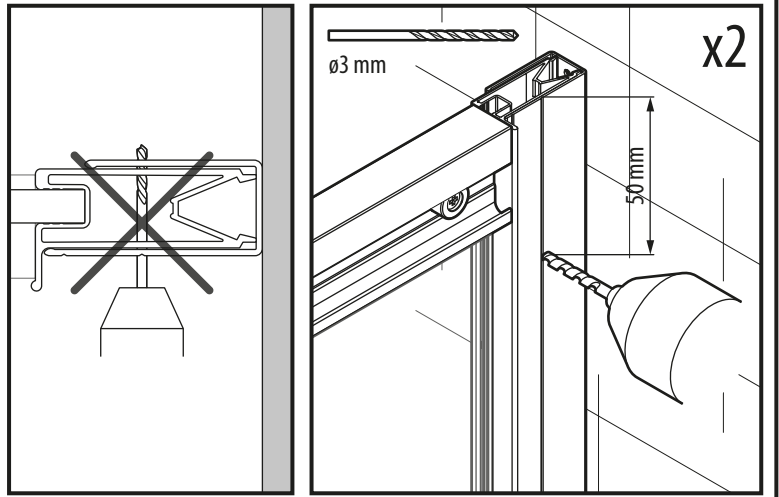
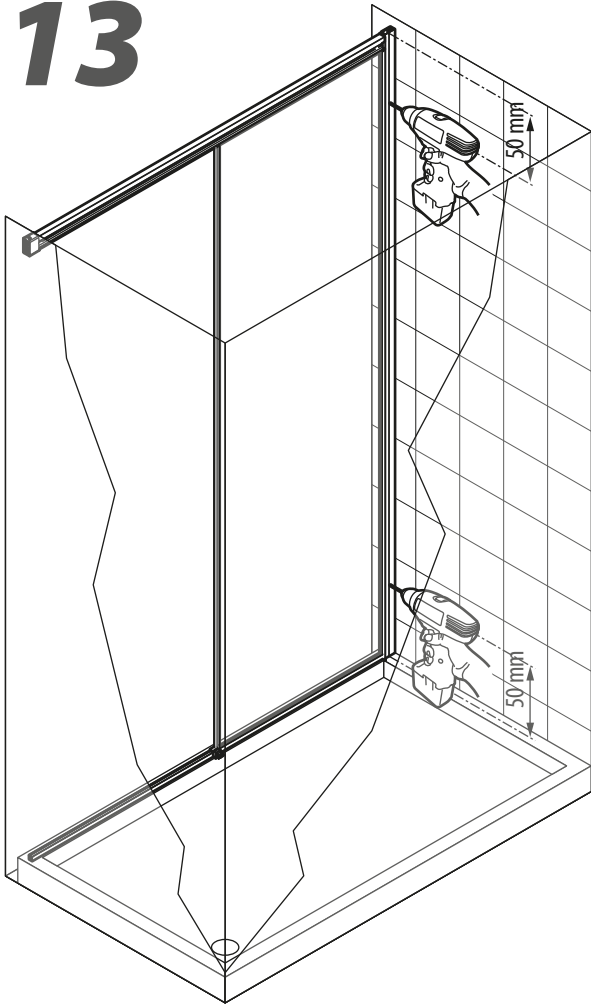
# 11



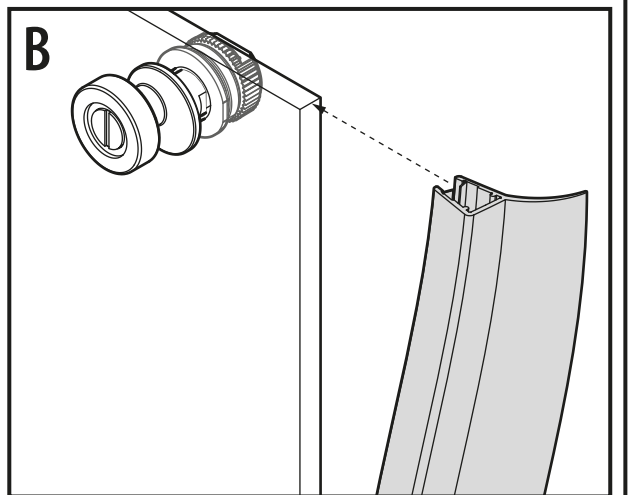
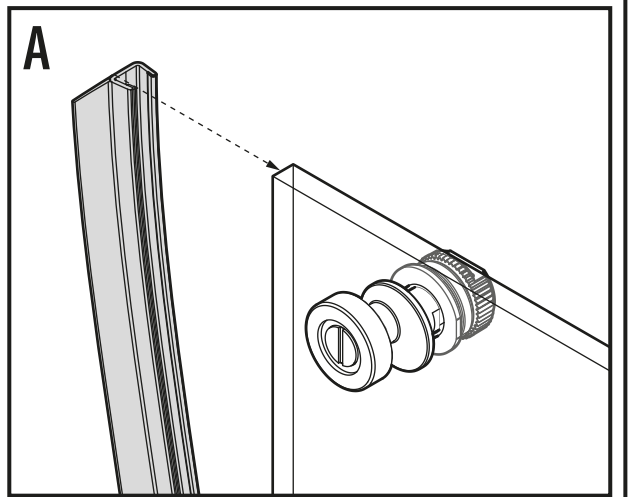
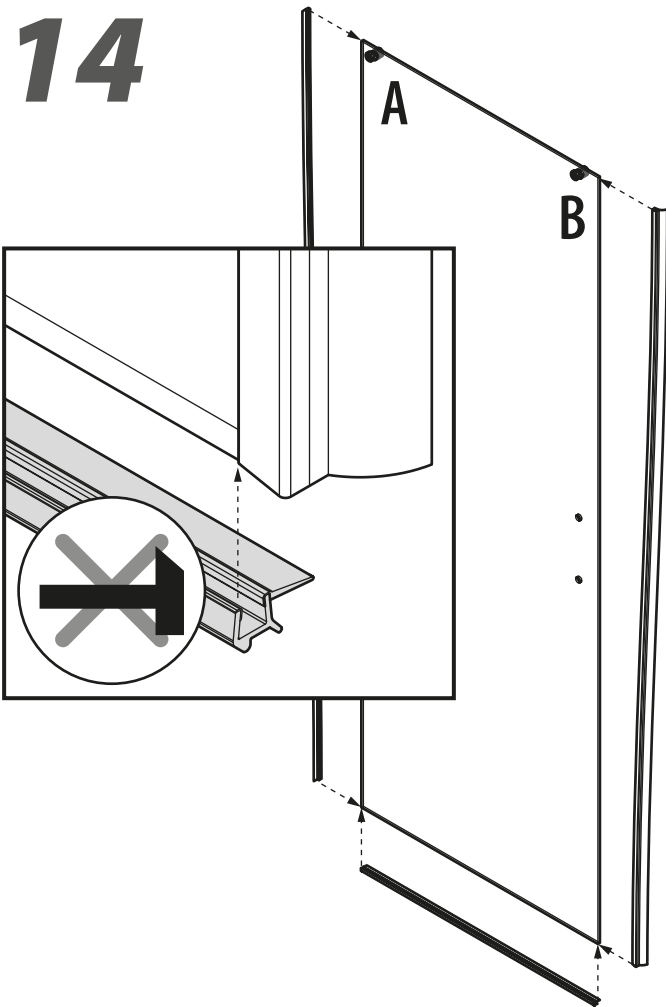
# 12



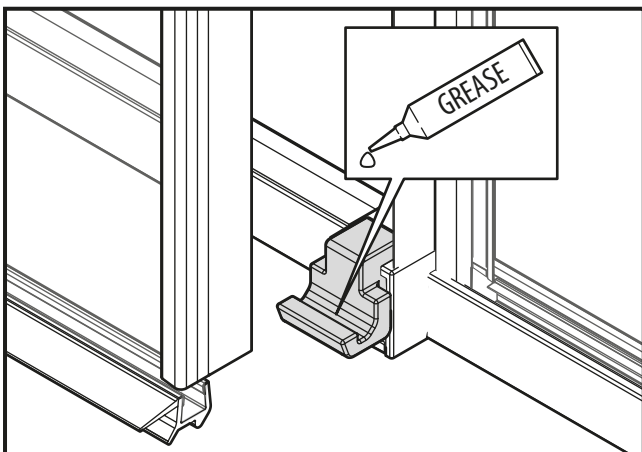
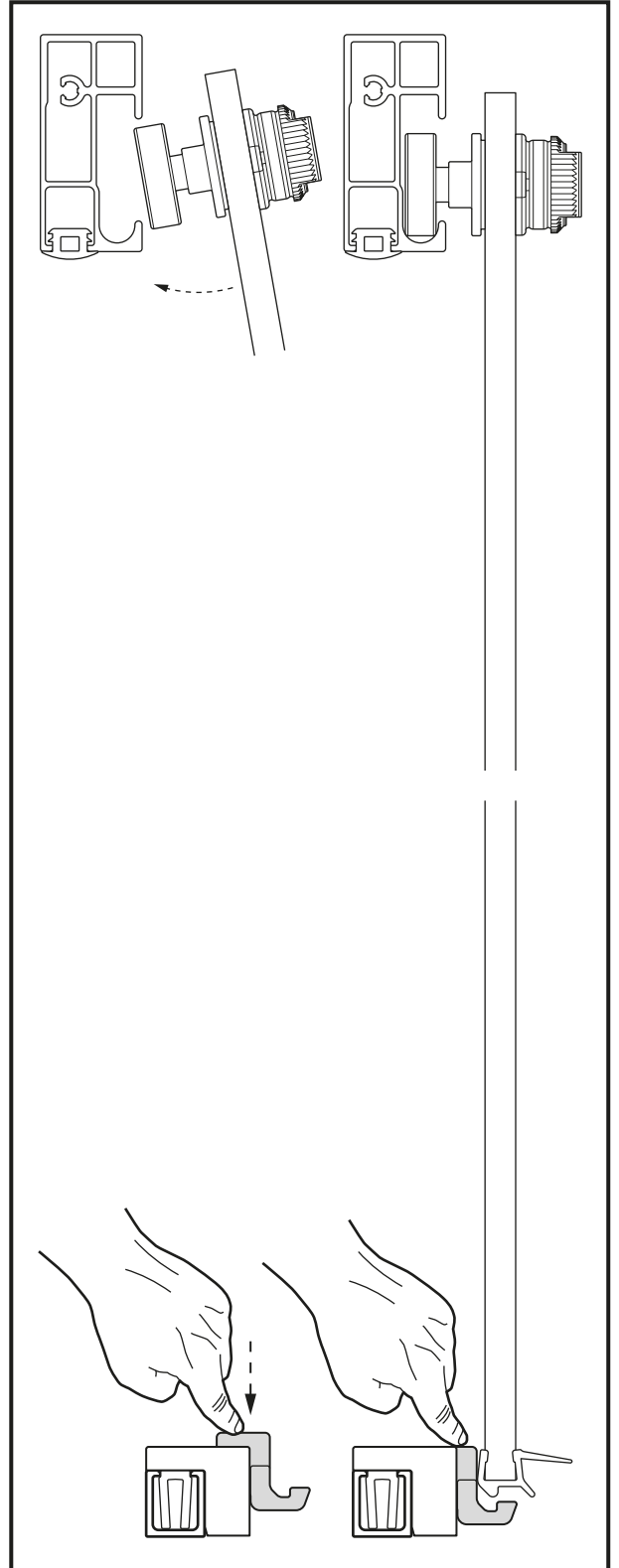
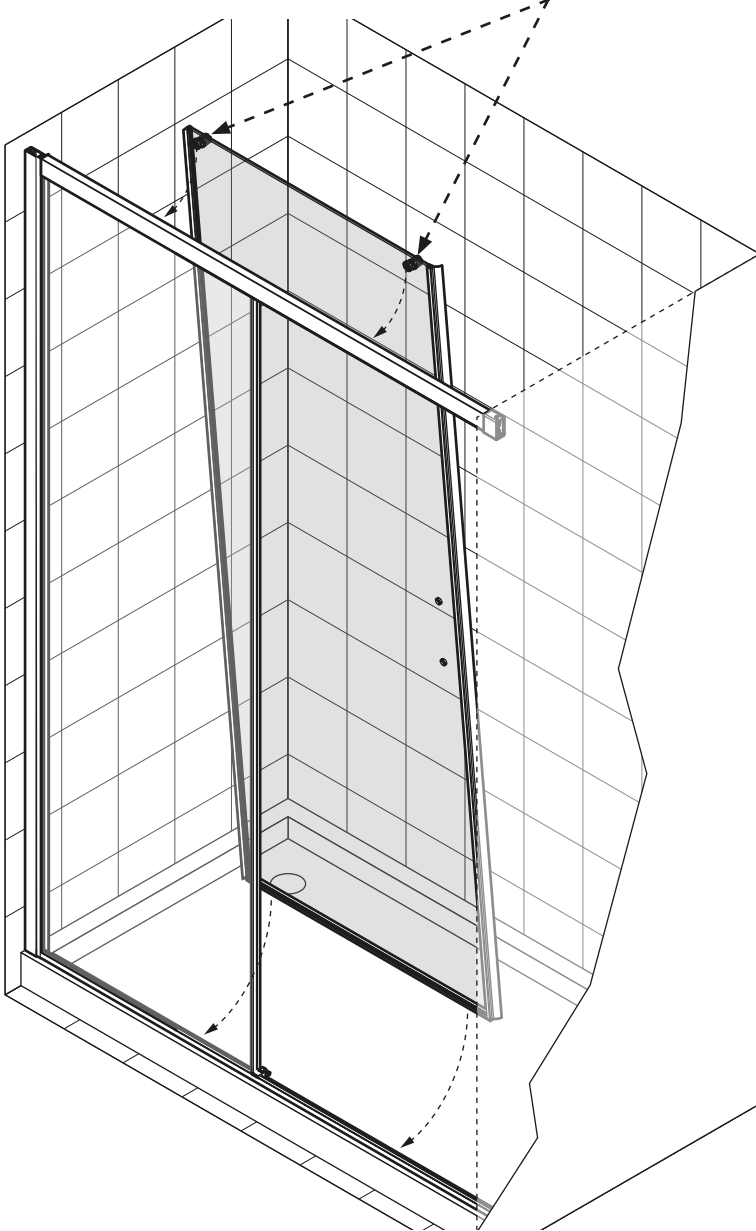
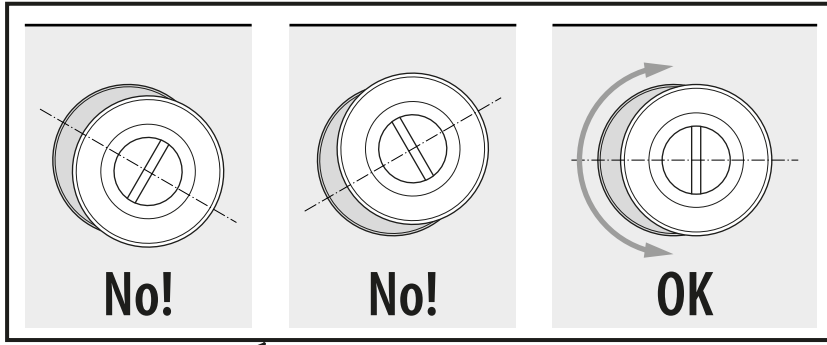
# 13



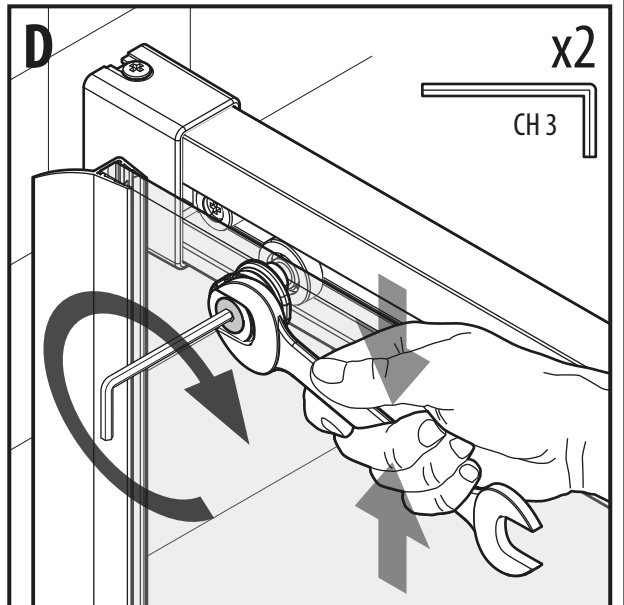
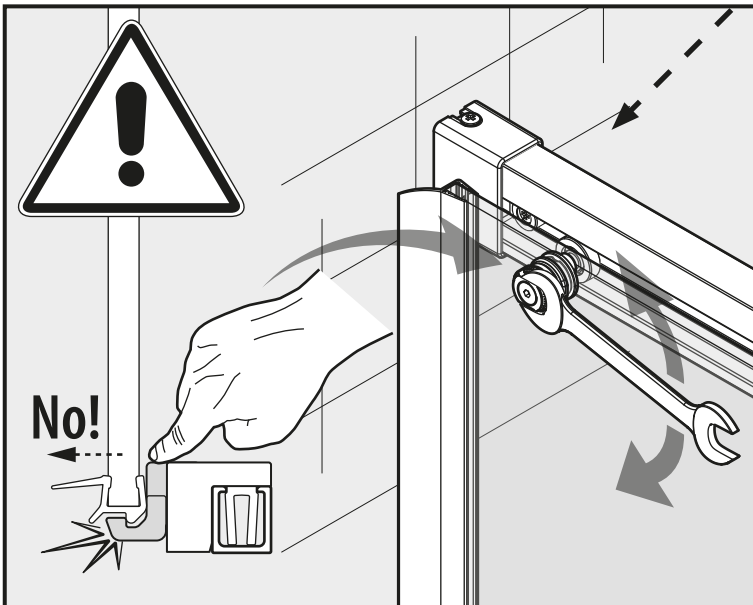
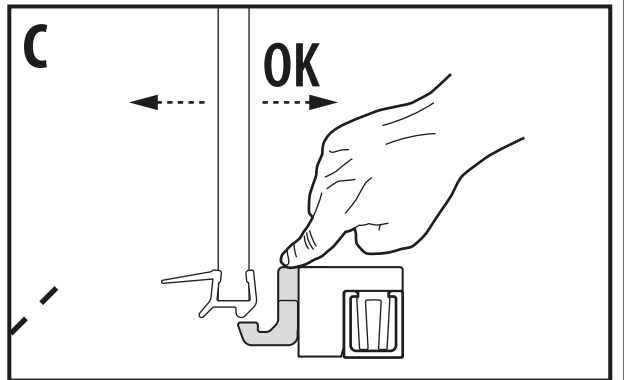
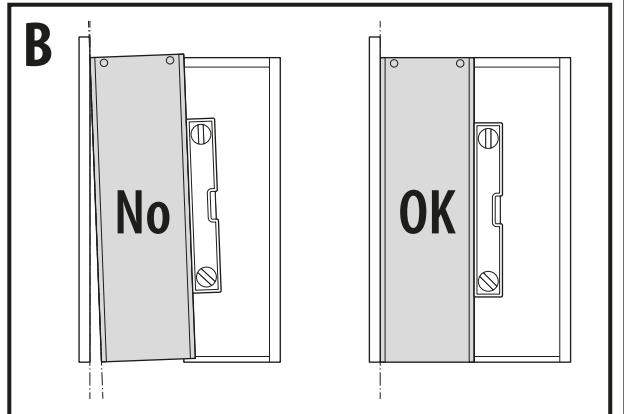
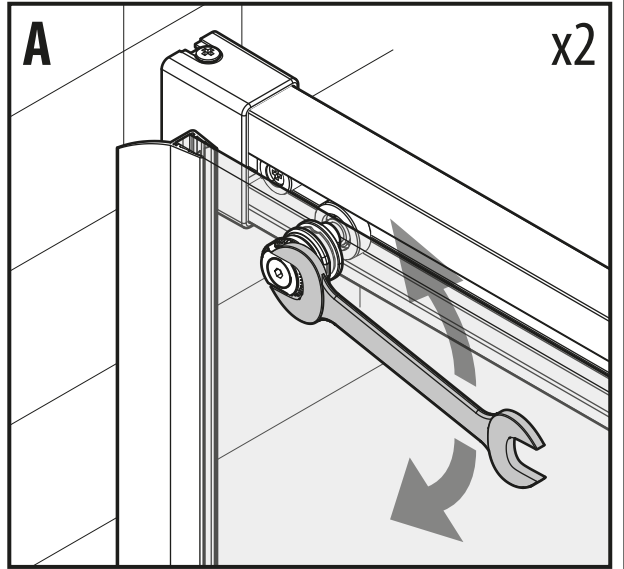
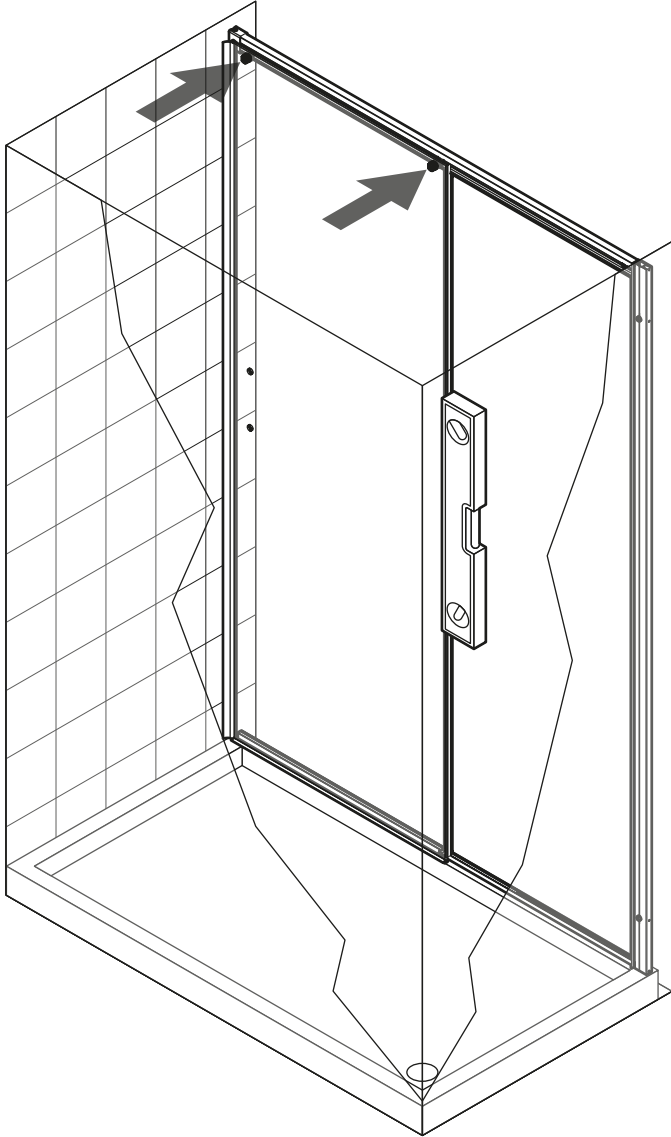
# 14



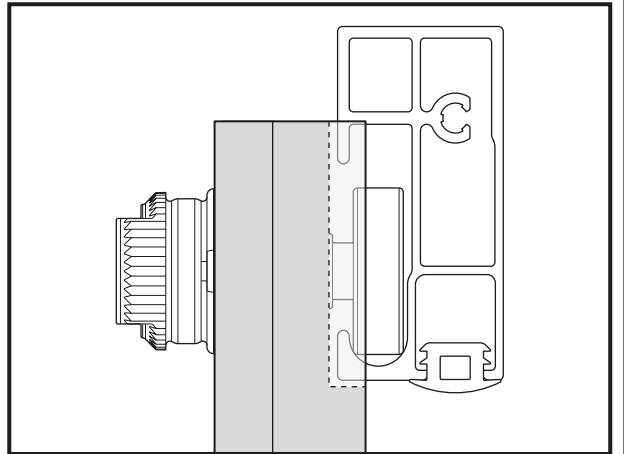
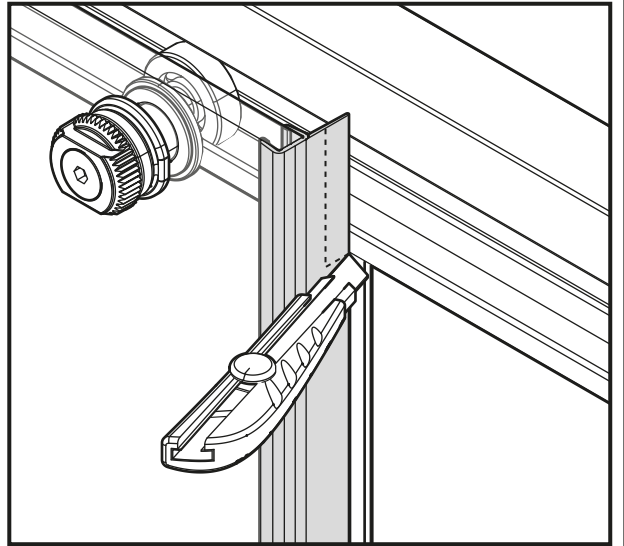
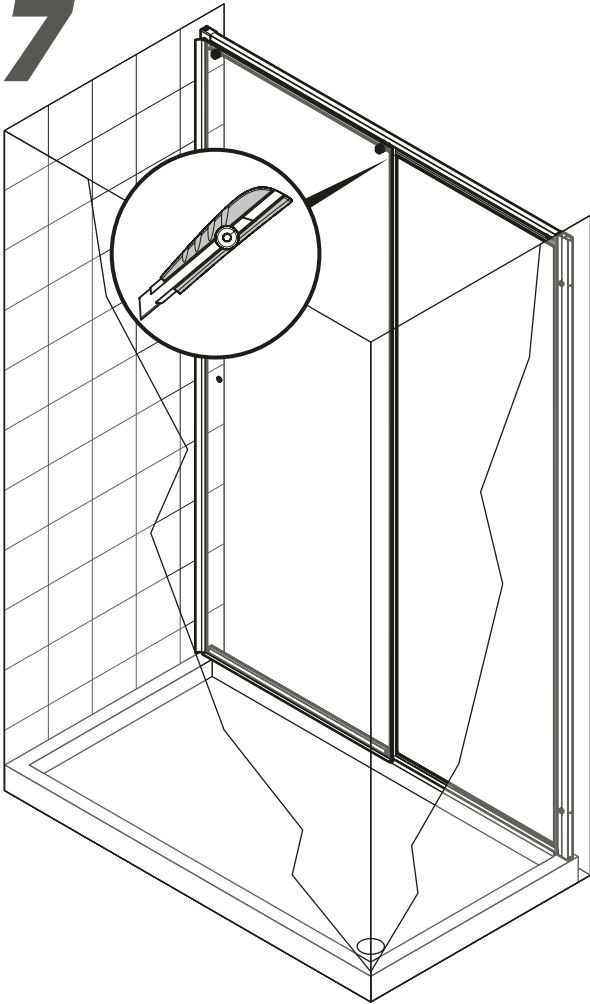
# 15



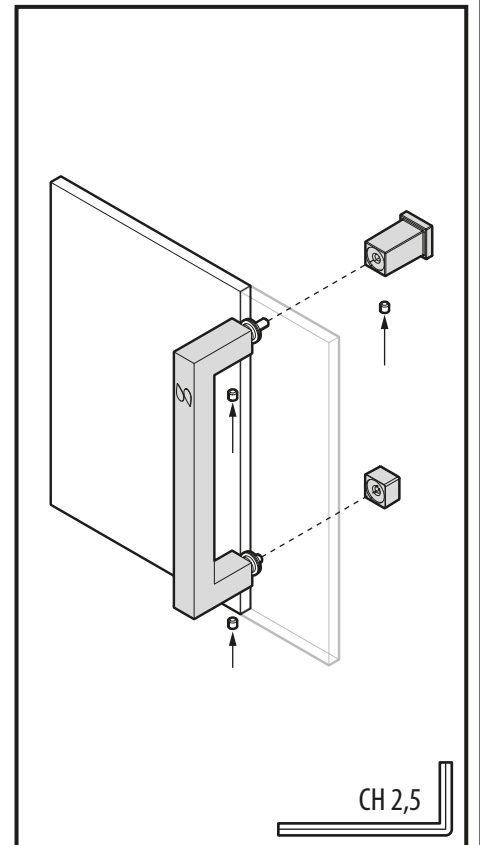
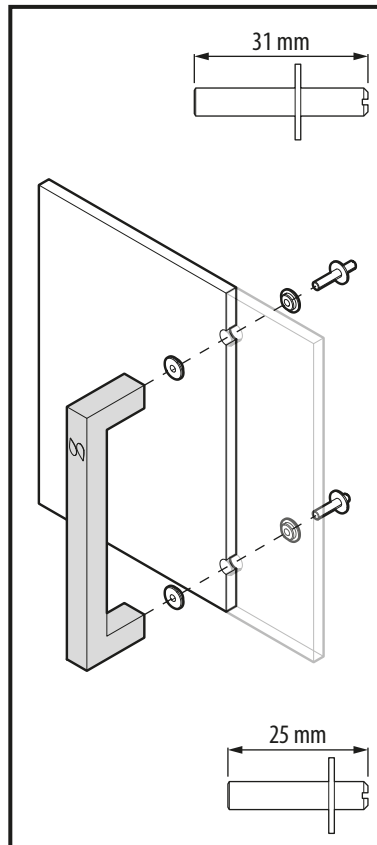
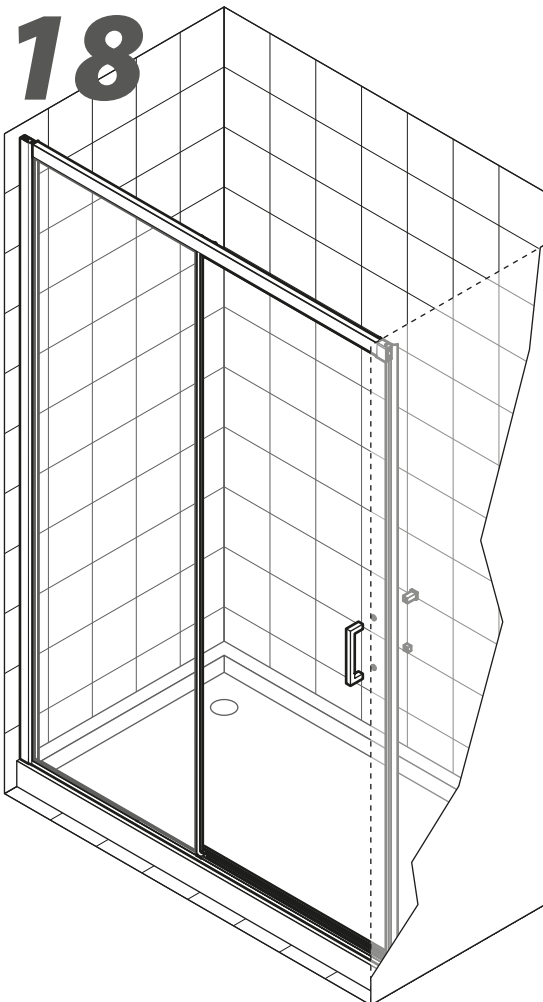
# 16



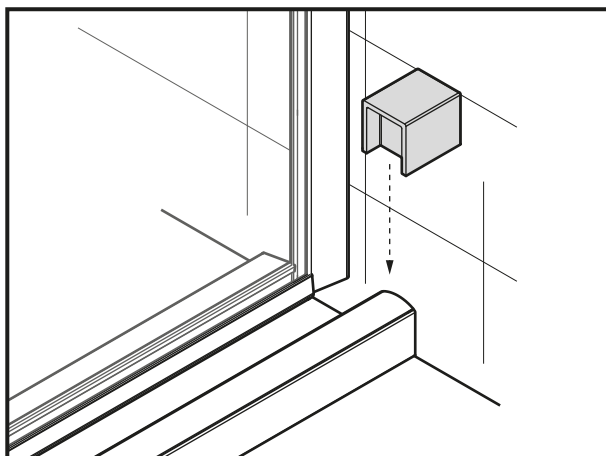
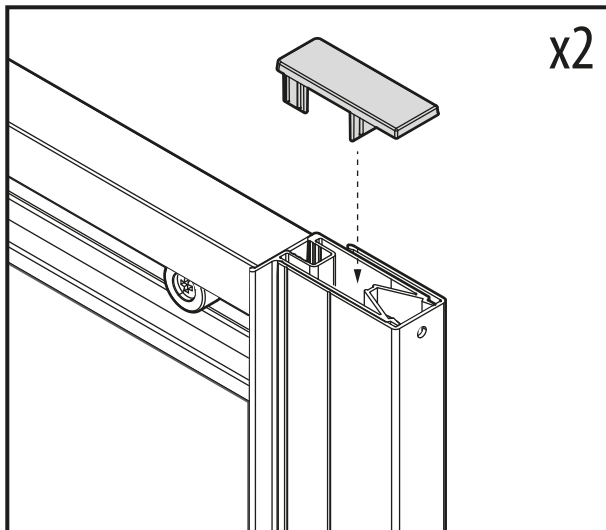
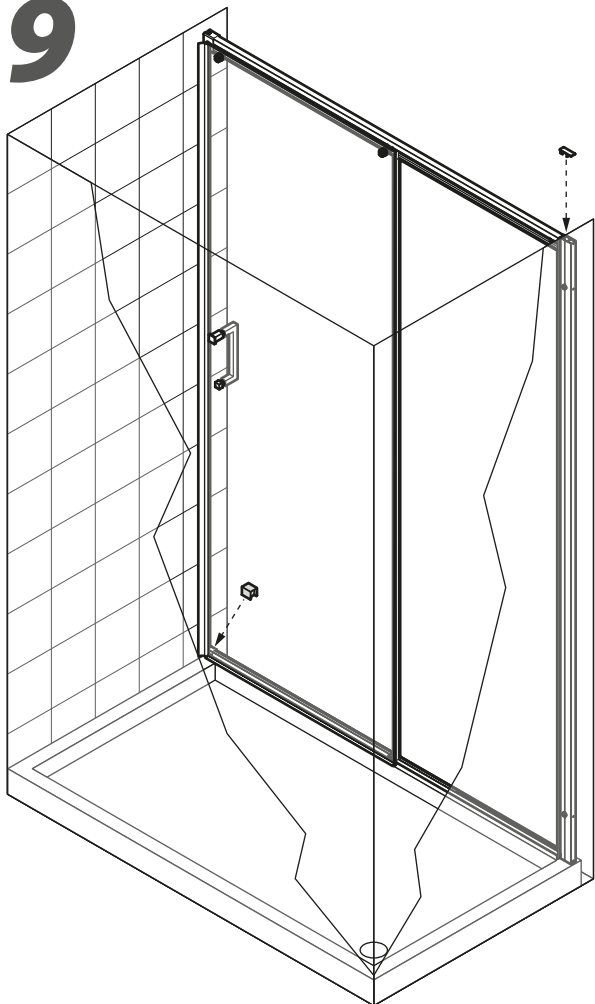
# 17



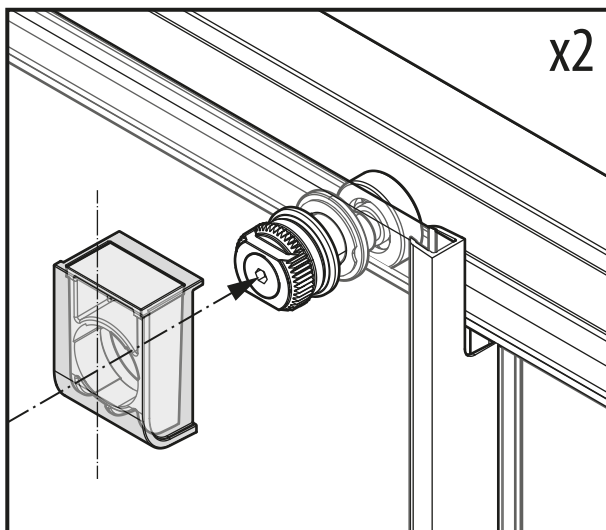
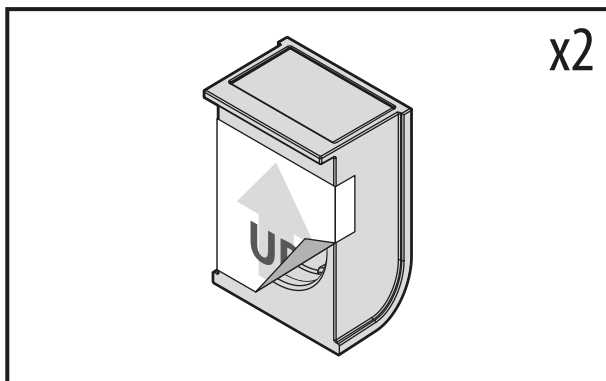
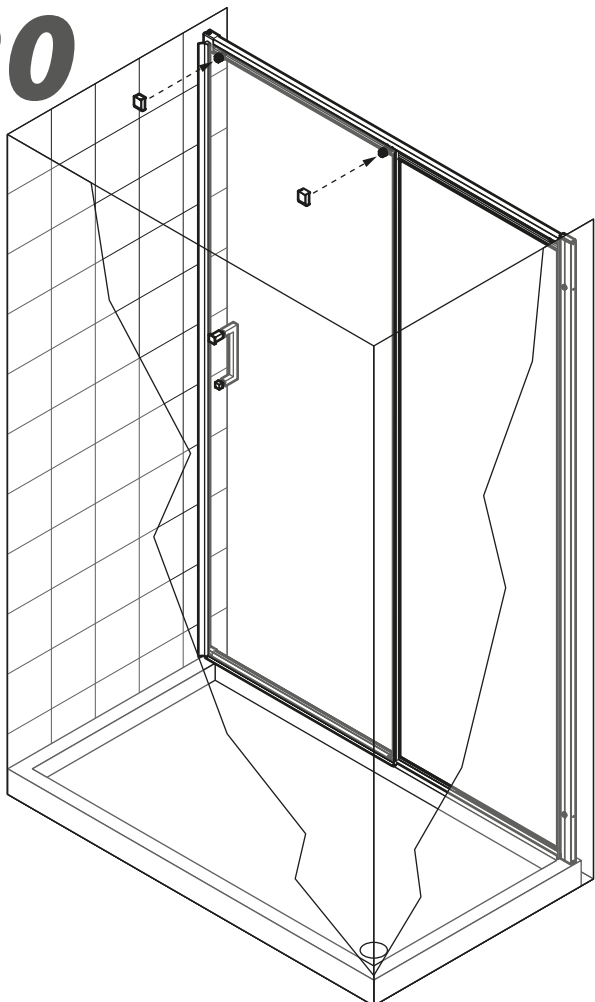
# 18



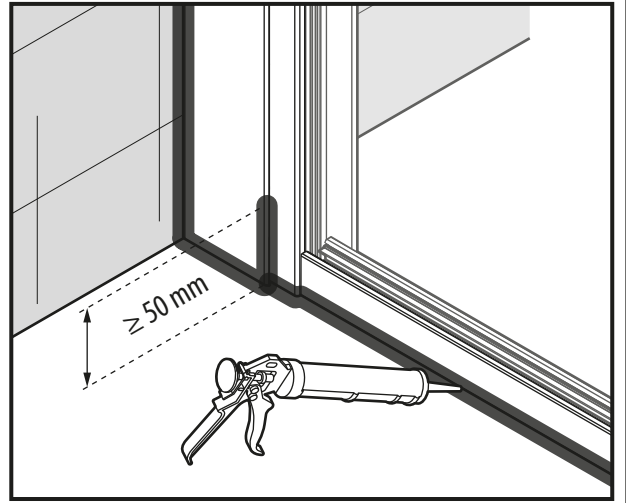
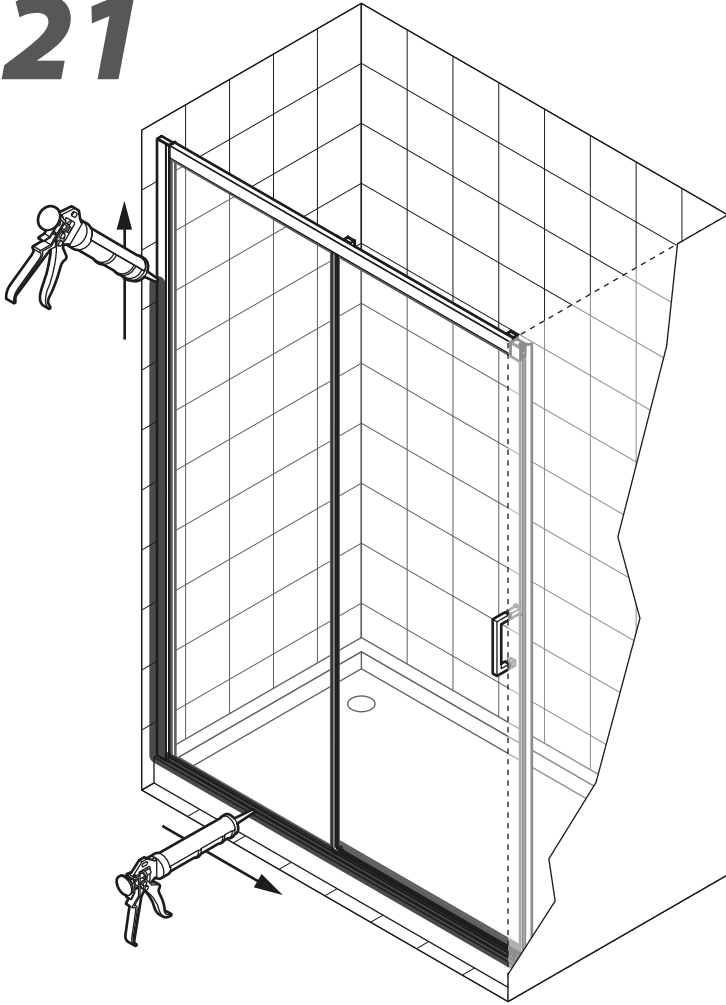
# 19



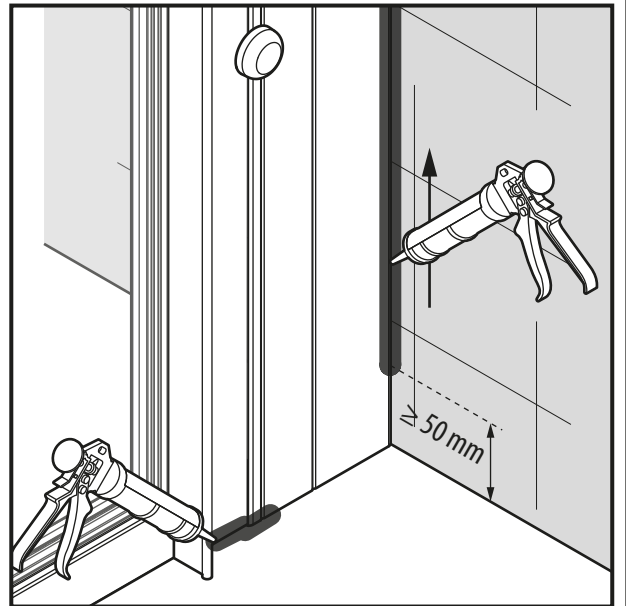
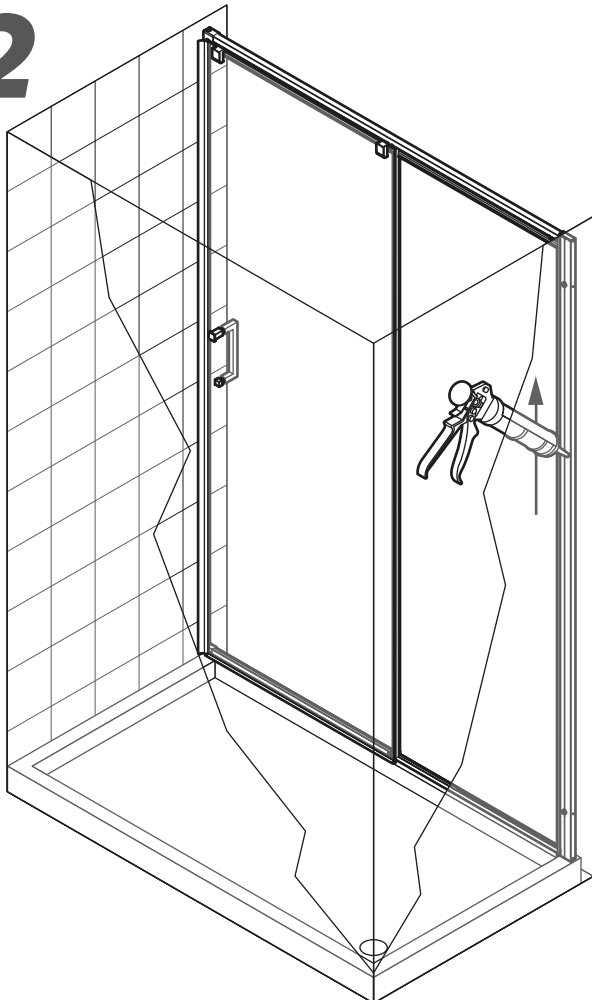
# 20

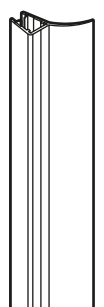
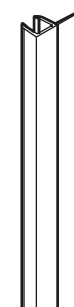
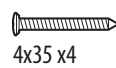
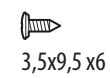
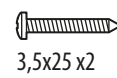
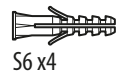
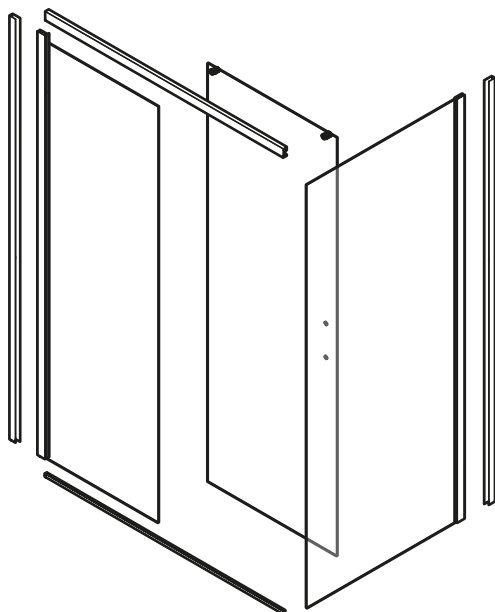
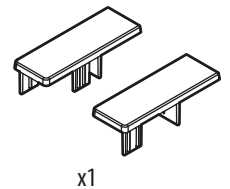
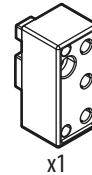
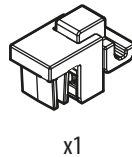
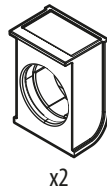
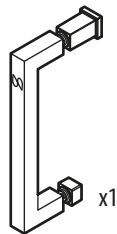
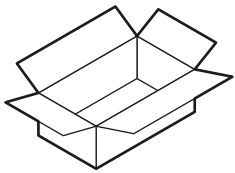
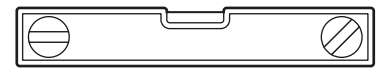
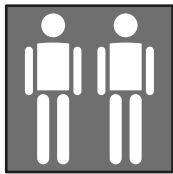
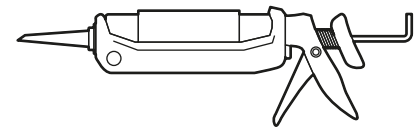
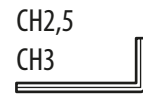
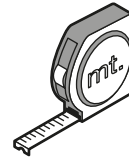
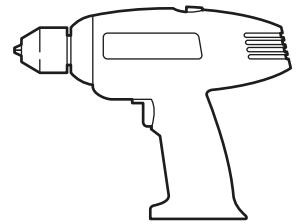
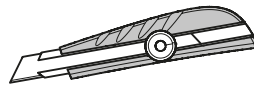
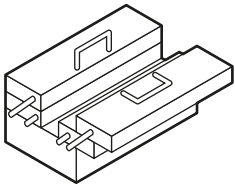


# 21



# 22





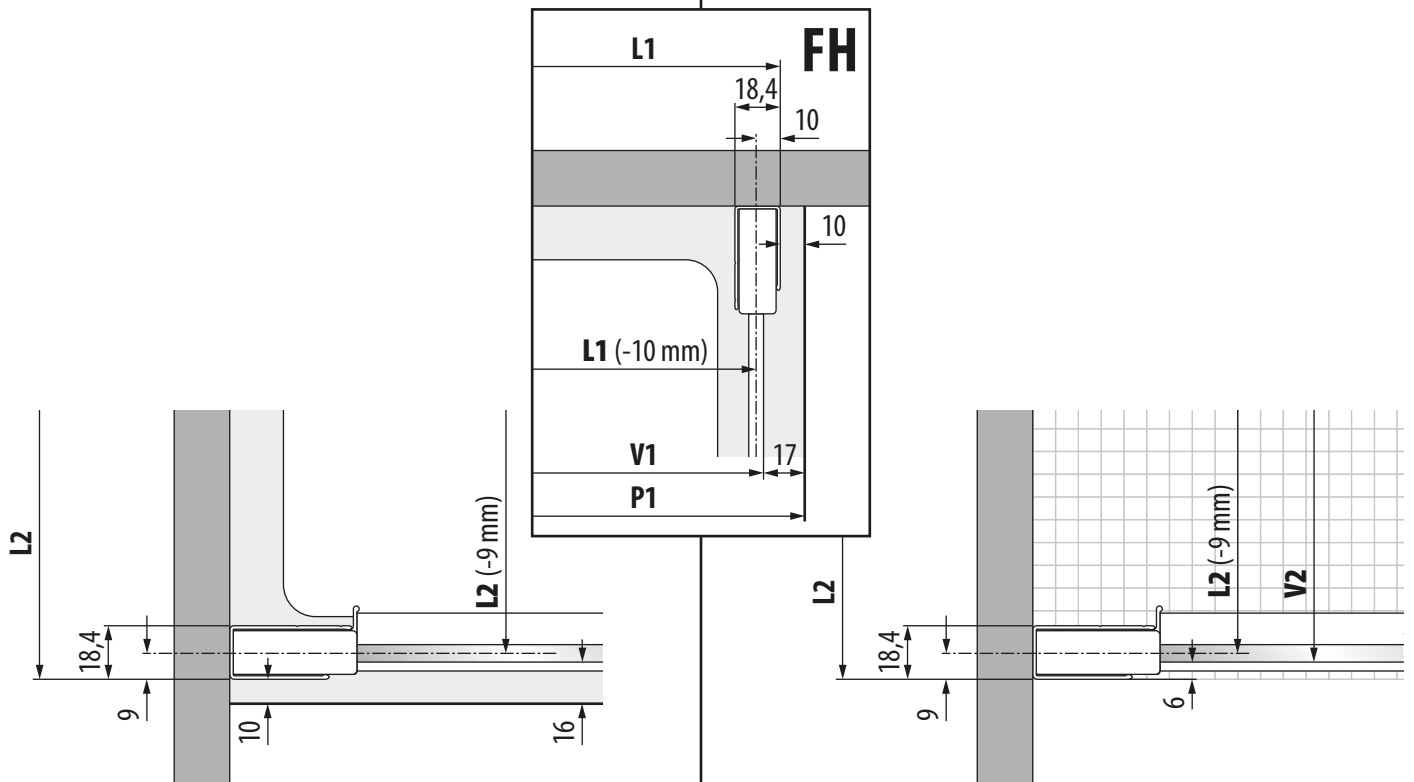
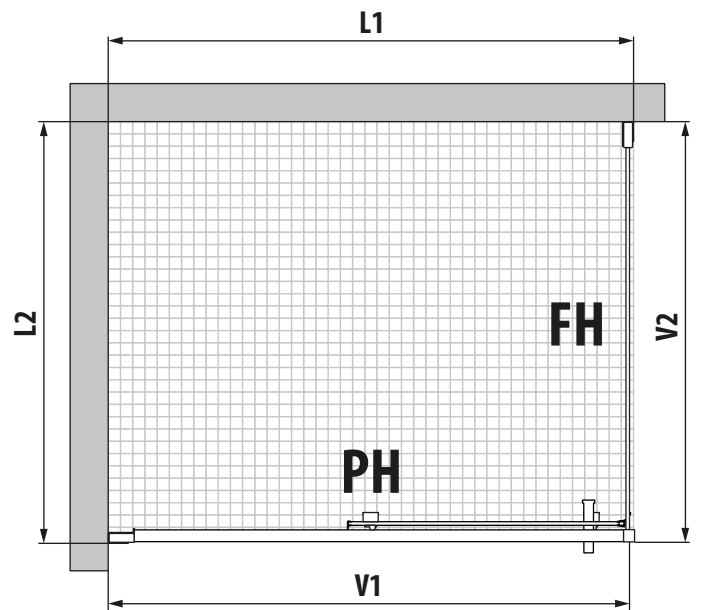
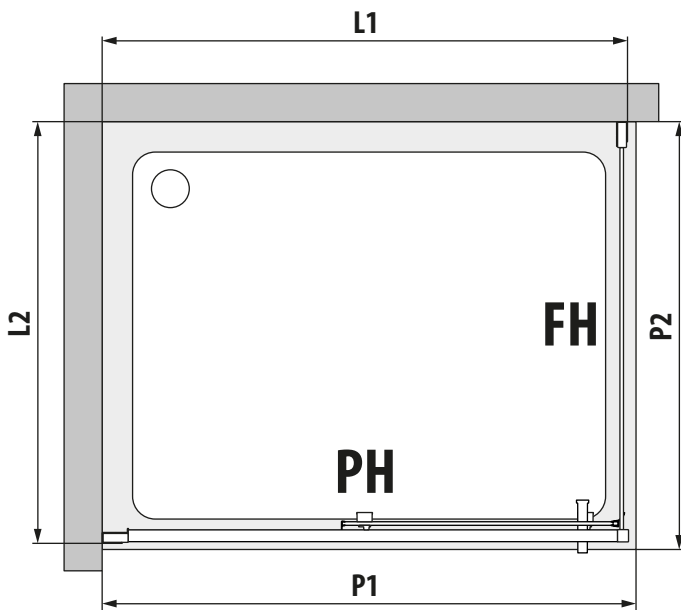


PH	P1	L1 mm
96	970-1000	960-990
114	1150-1180	1140-1170
116	1170-1200	1160-1190
126	1270-1300	1260-1290
136	1370-1400	1360-1390
146	1470-1500	1460-1490
156	1570-1600	1560-1590
166	1670-1700	1660-1690

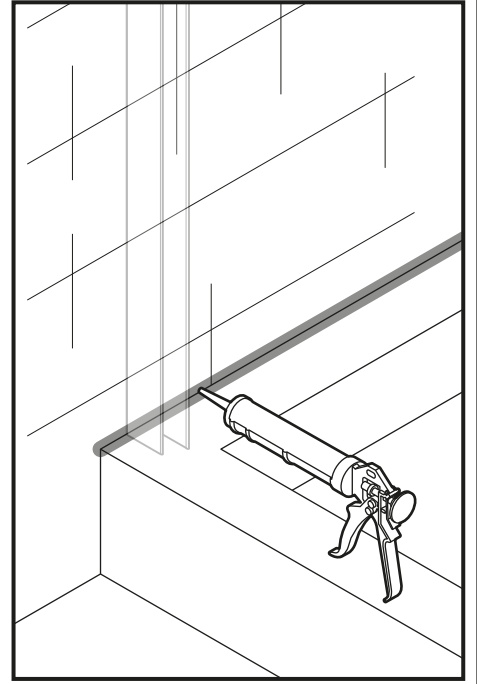
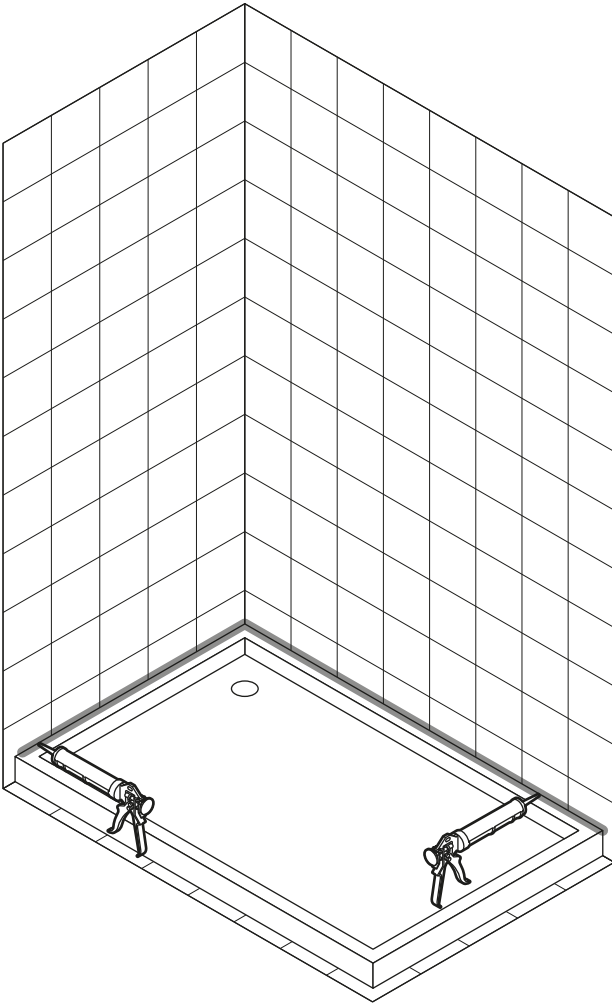
FH	P2	L2 mm
67	680-710	670-700
73	740-770	730-760
77	780-810	770-800
87	880-910	870-900
97	980-1010	970-1000
117	1180-1210	1170-1200

PH	V1	L1 mm
96	953-983	960-990
114	1133-1163	1140-1170
116	1153-1183	1160-1190
126	1253-1283	1260-1290
136	1353-1383	1360-1390
146	1453-1483	1460-1490
156	1553-1583	1560-1590
166	1653-1683	1660-1690

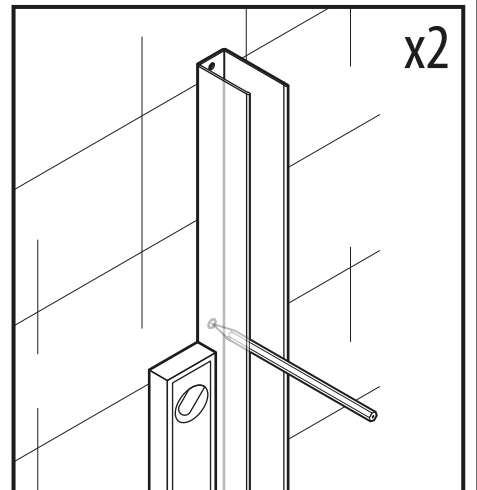
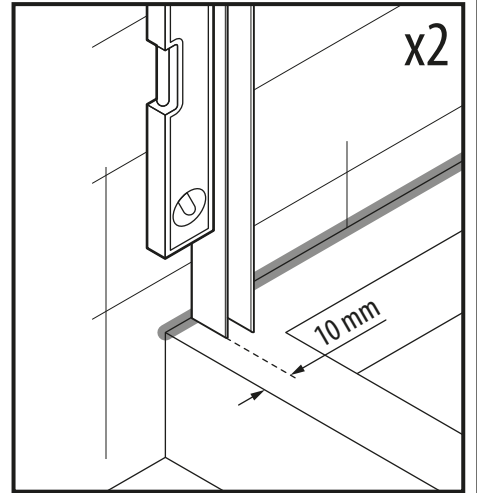
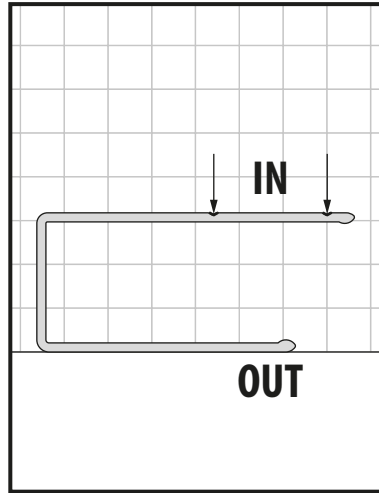
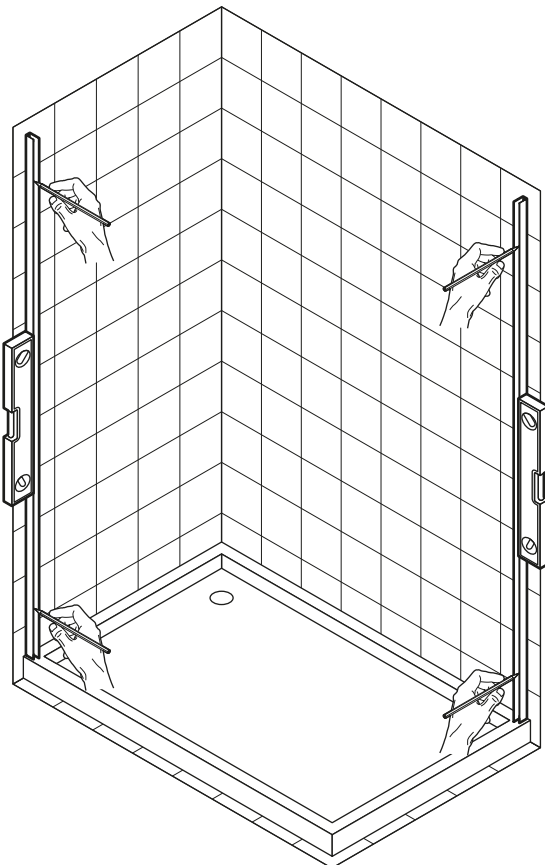
FH	V2	L2 mm
67	664-694	670-700
73	724-754	730-760
77	764-794	770-800
87	864-894	870-900
97	964-994	970-1000
117	1164-1194	1170-1200



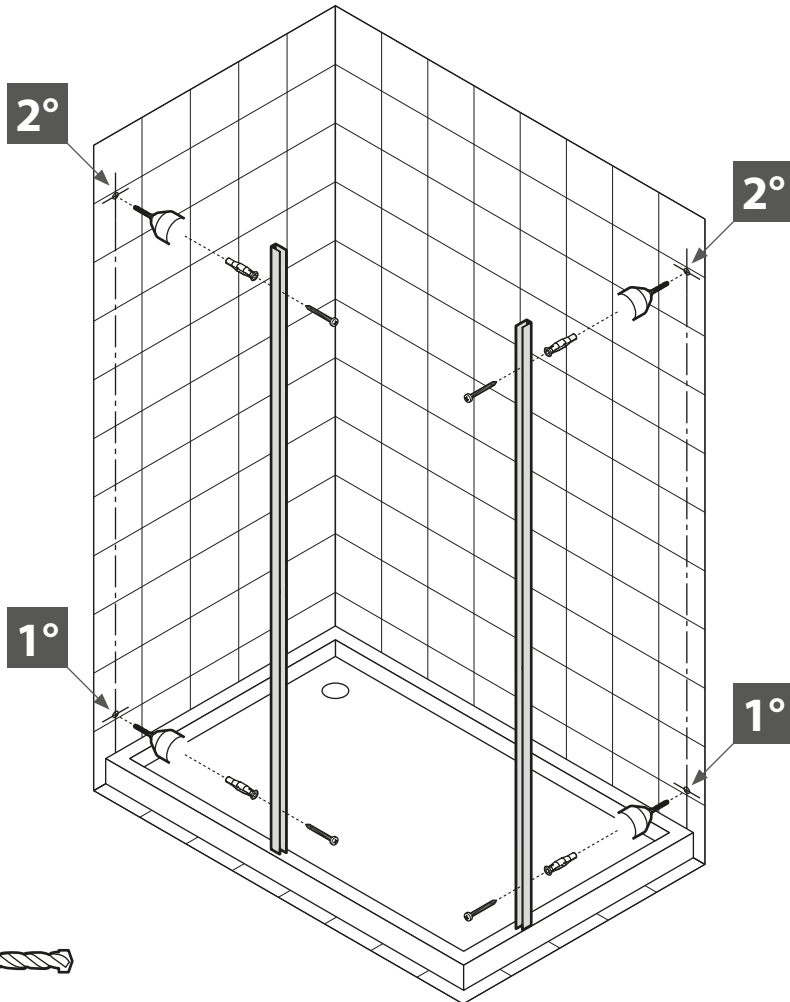
# 1



# 2



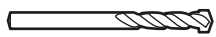
# 3



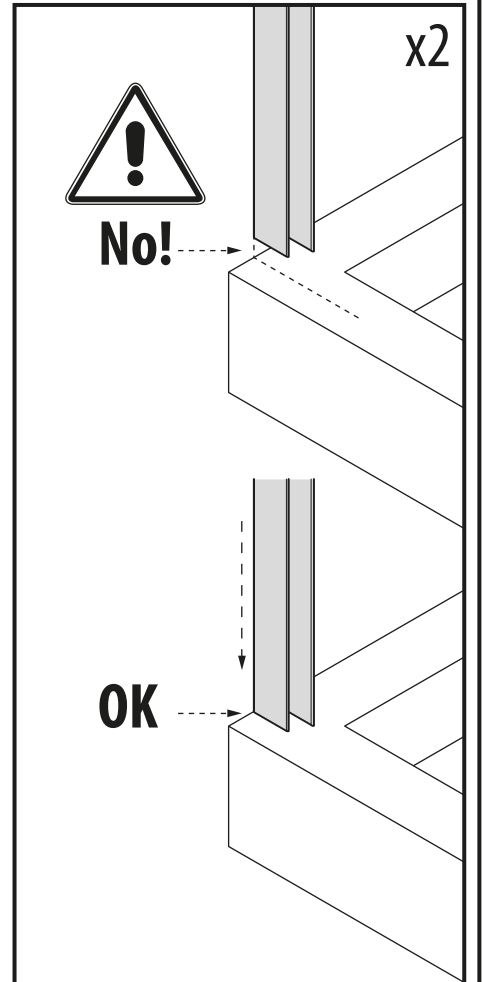
S6 x 2



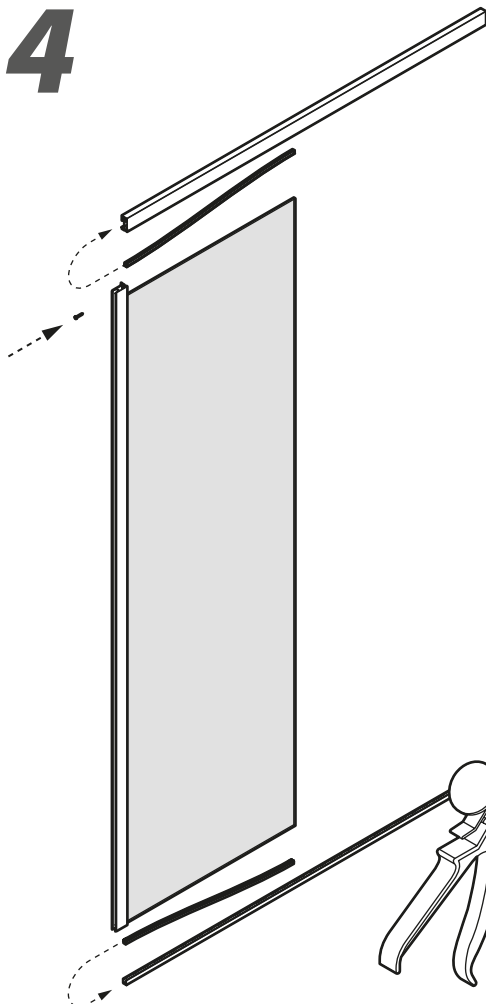
4x35 x 2



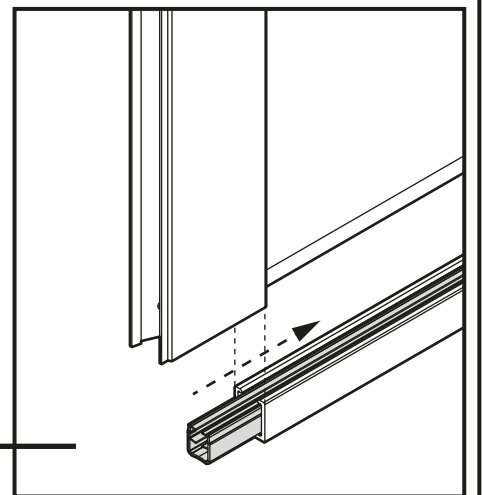
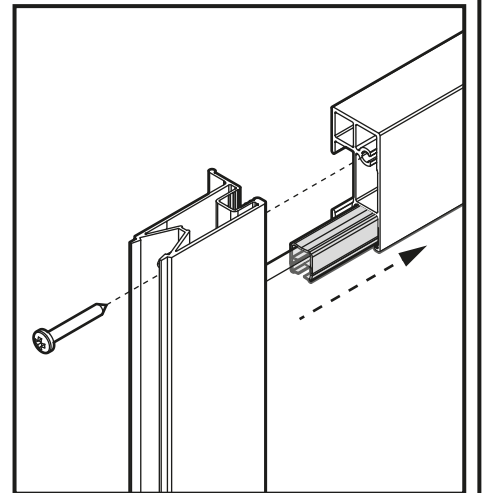
ø6 mm



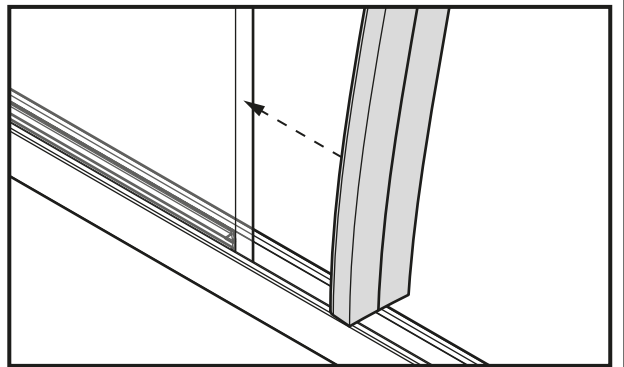
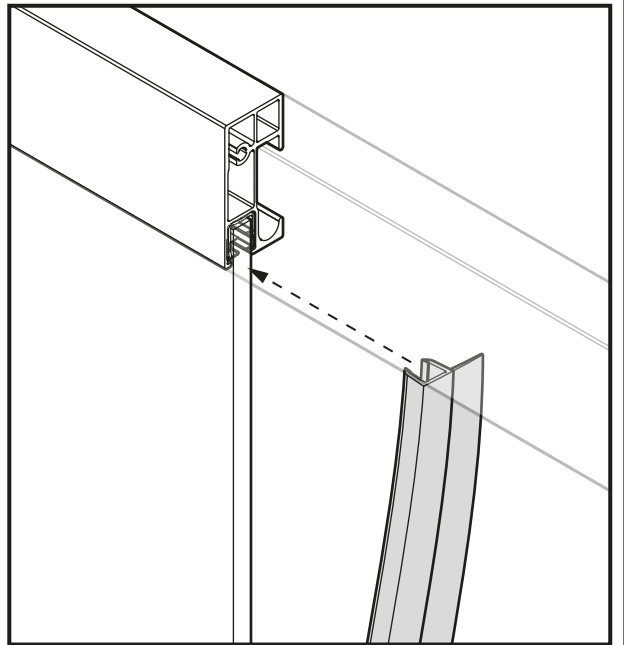
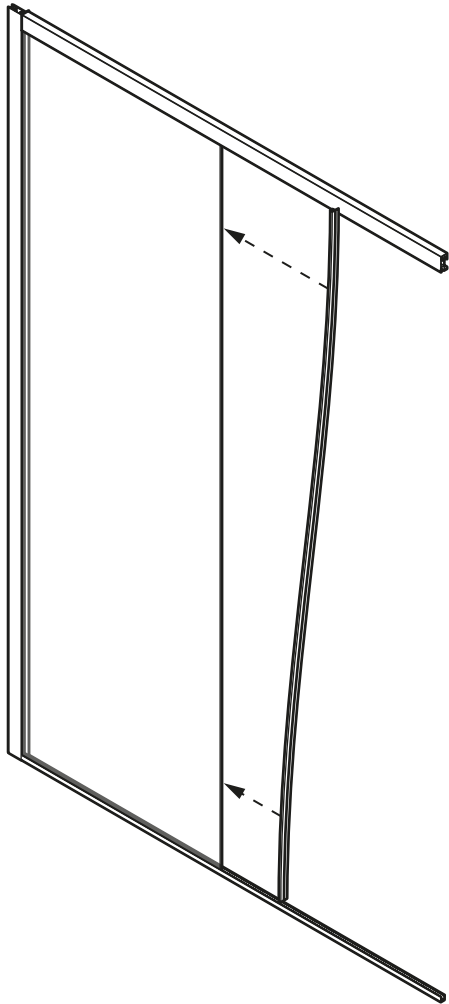
# 4



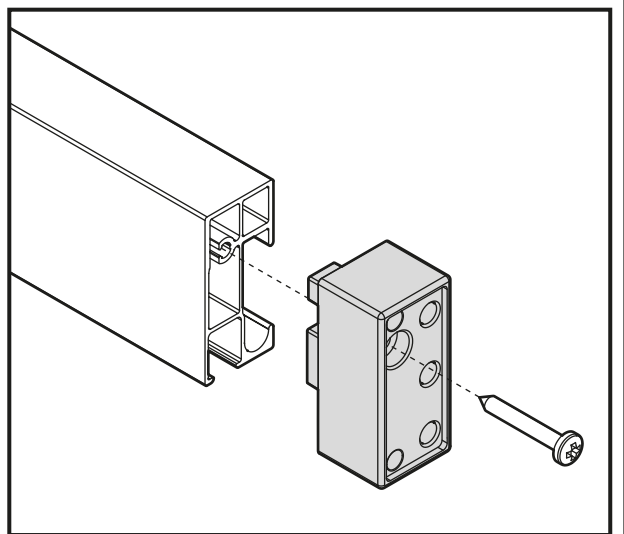
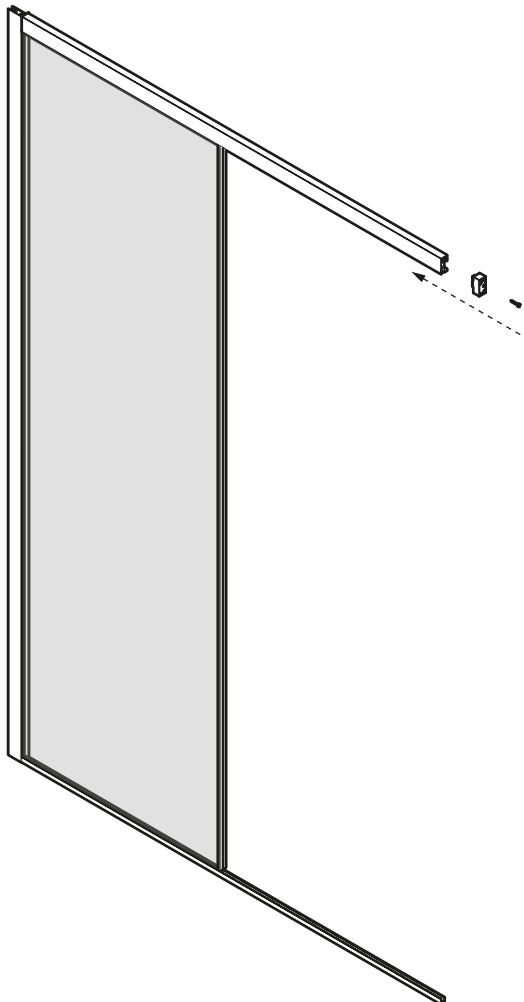
3,5x25 x 1

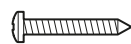


5

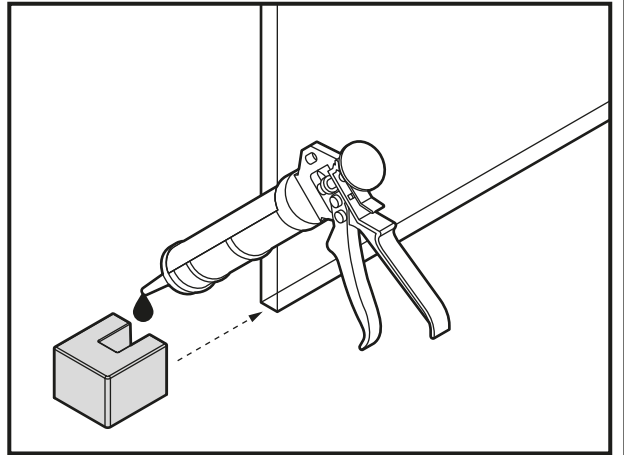
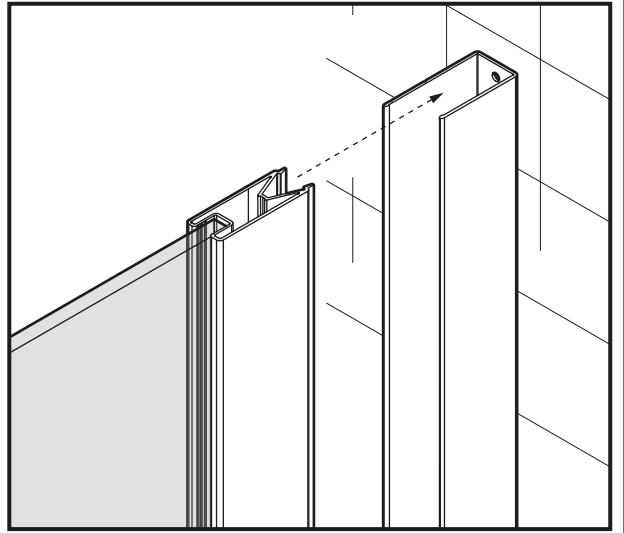
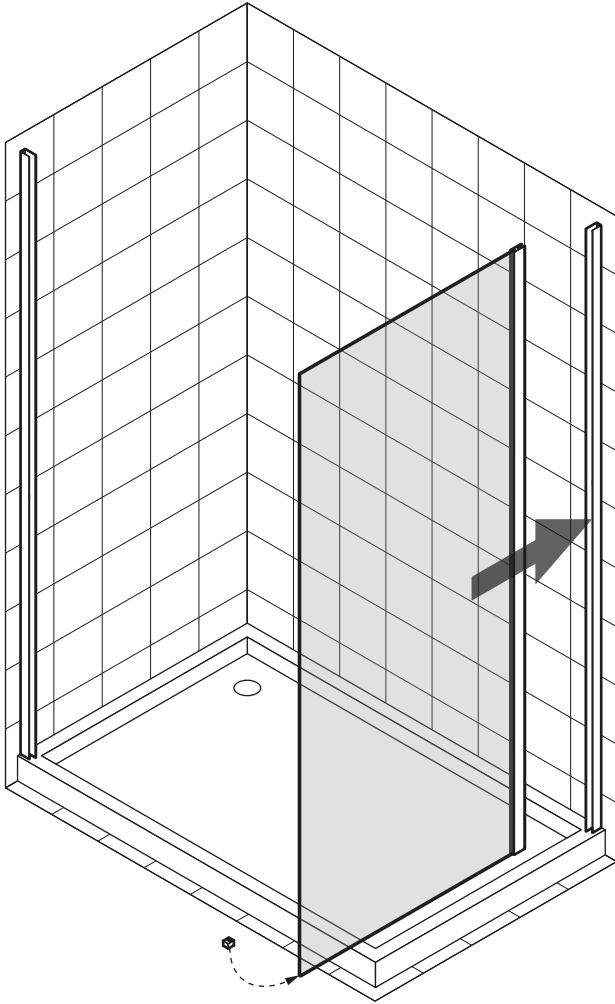


6

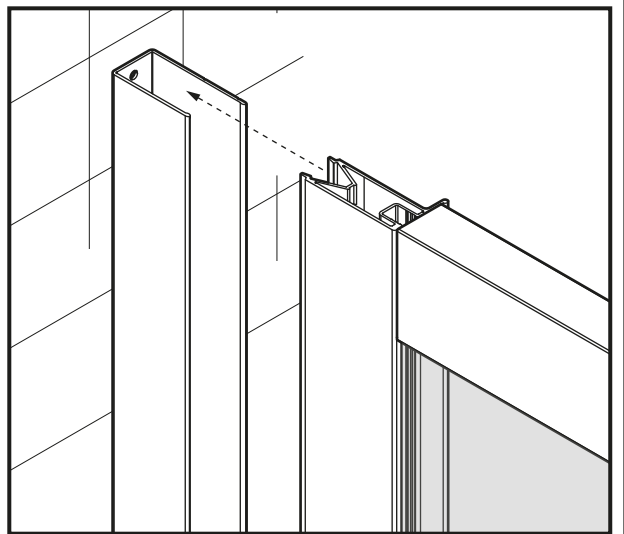
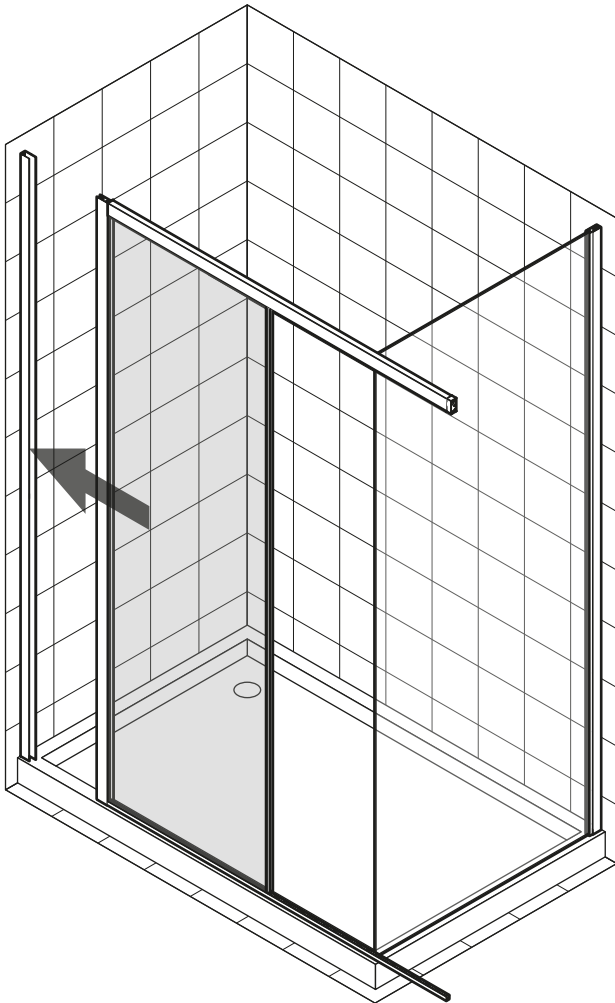


  
3,5x25 x1

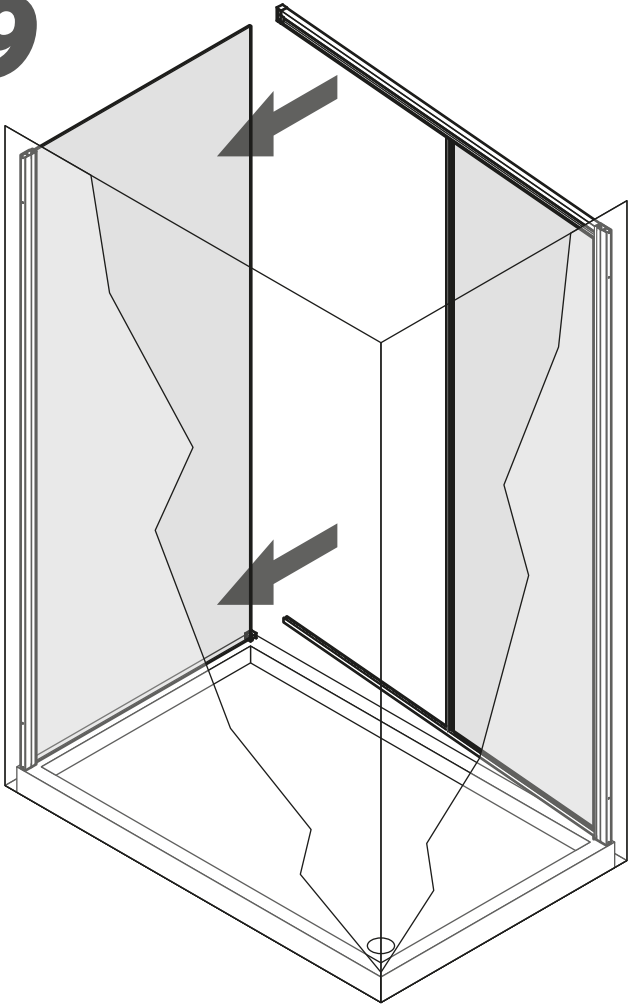
7



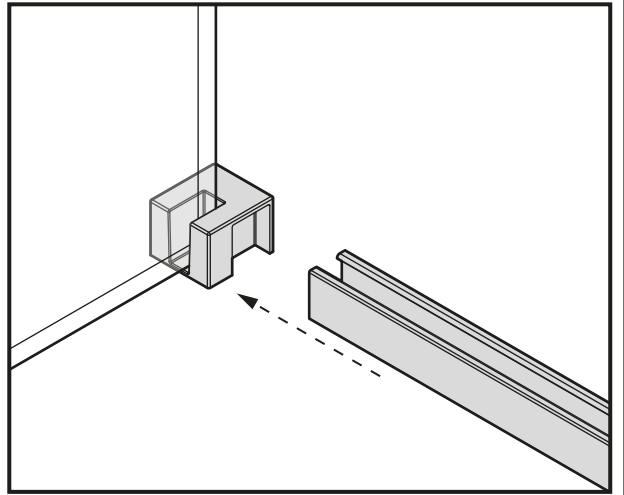
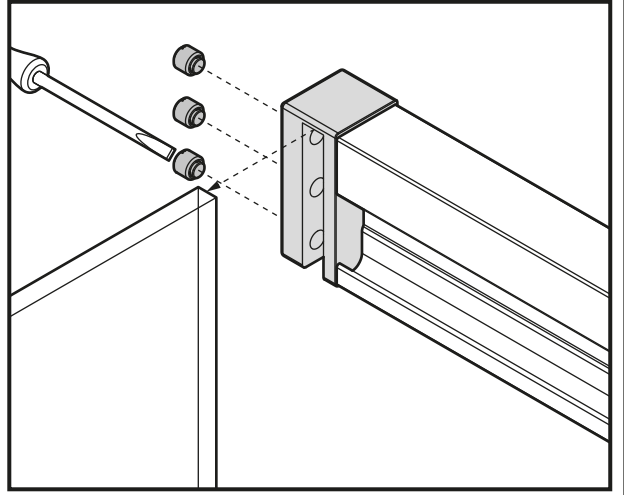
8



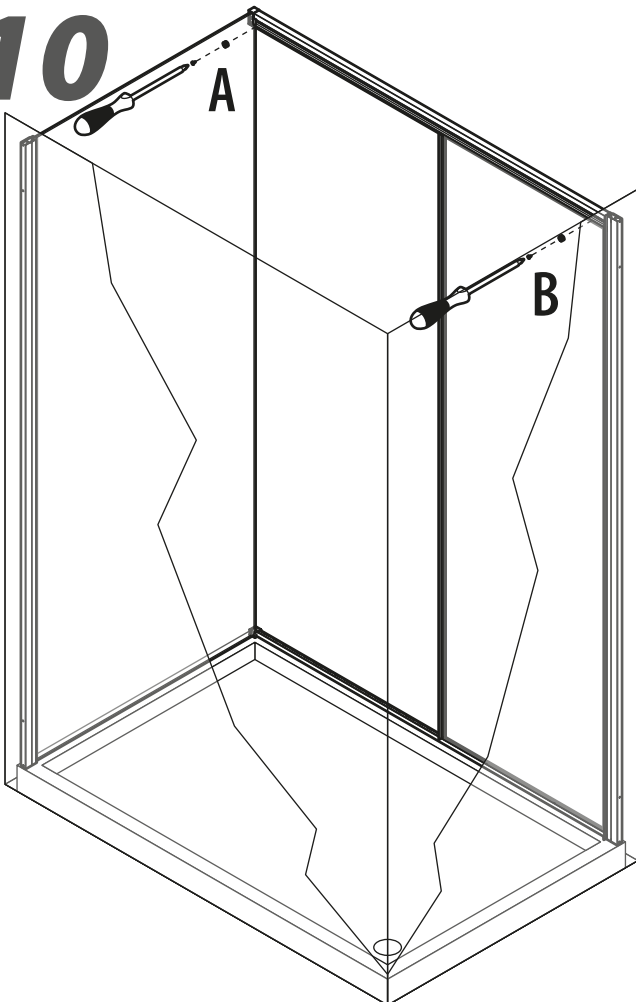
9



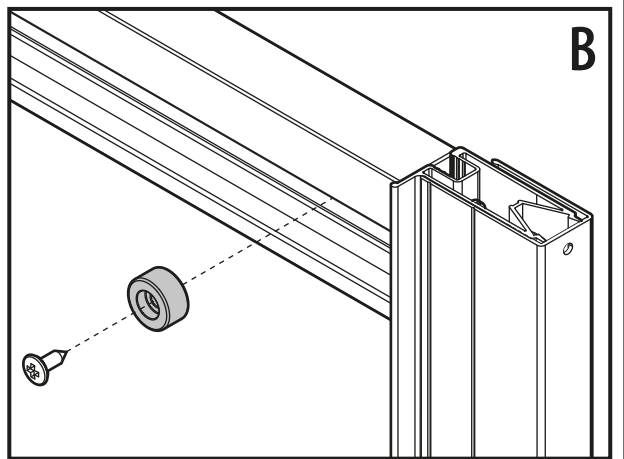
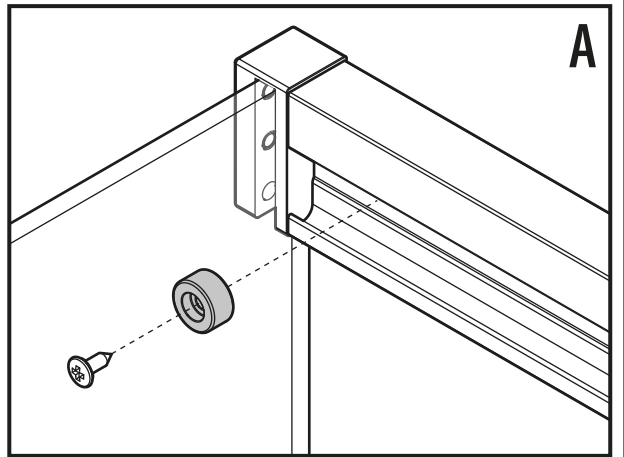
  
M6x5 x3



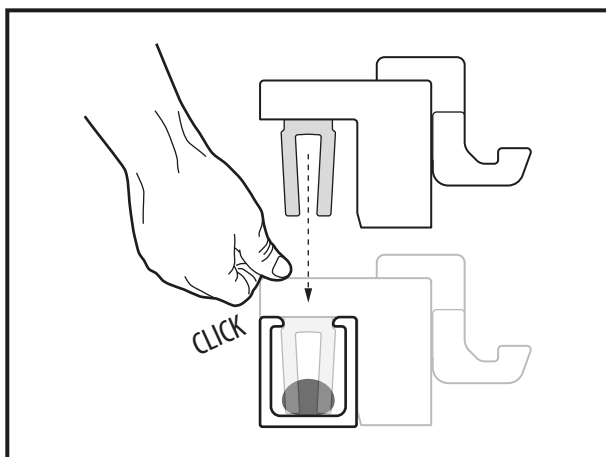
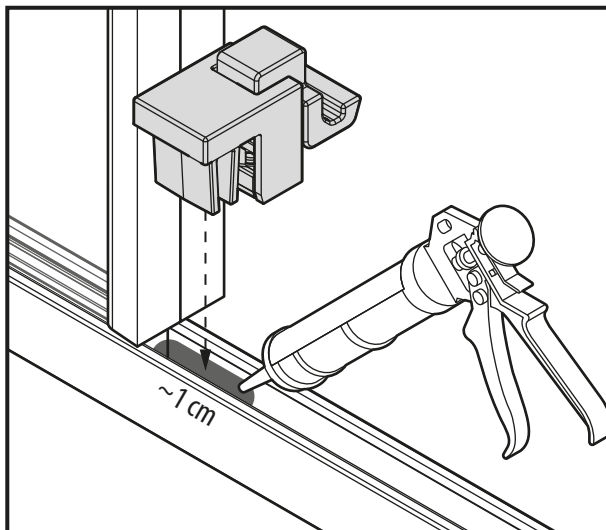
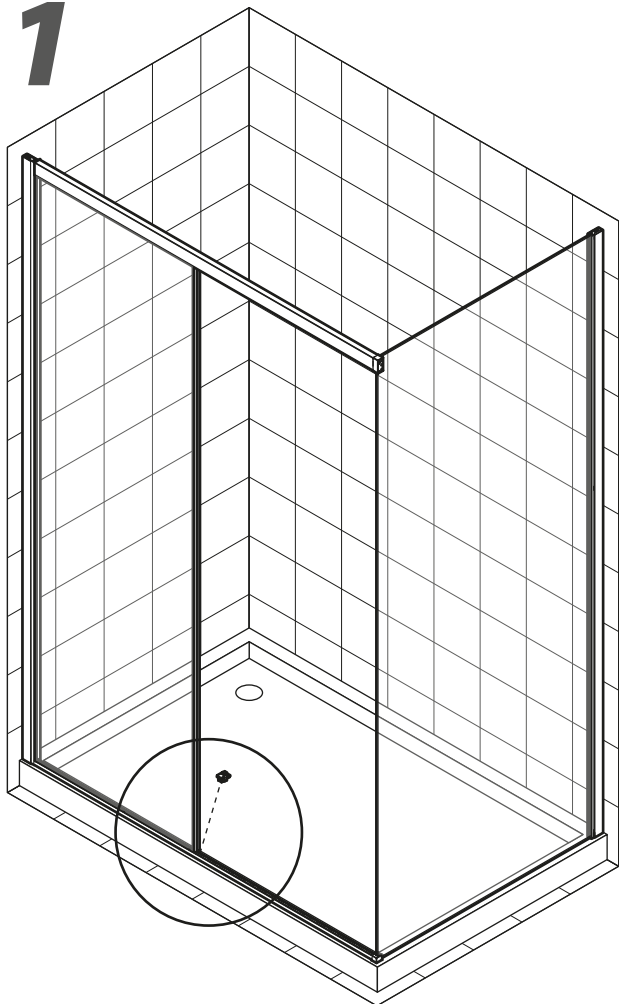
10



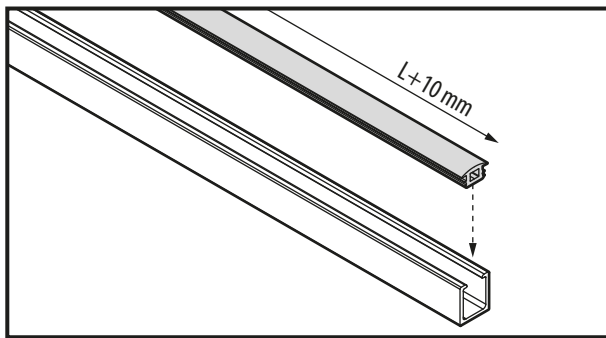
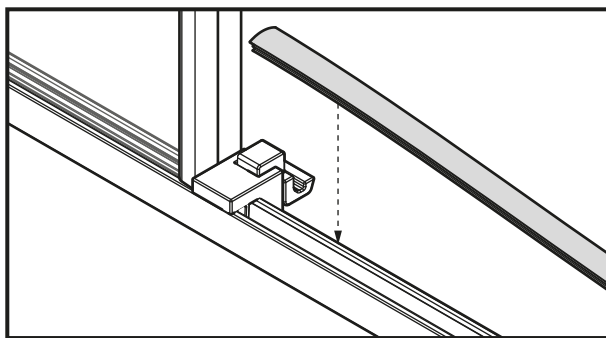
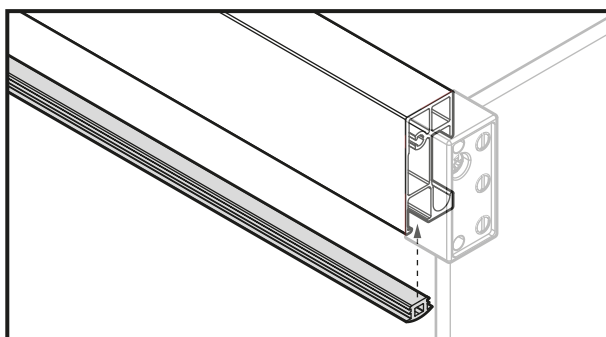
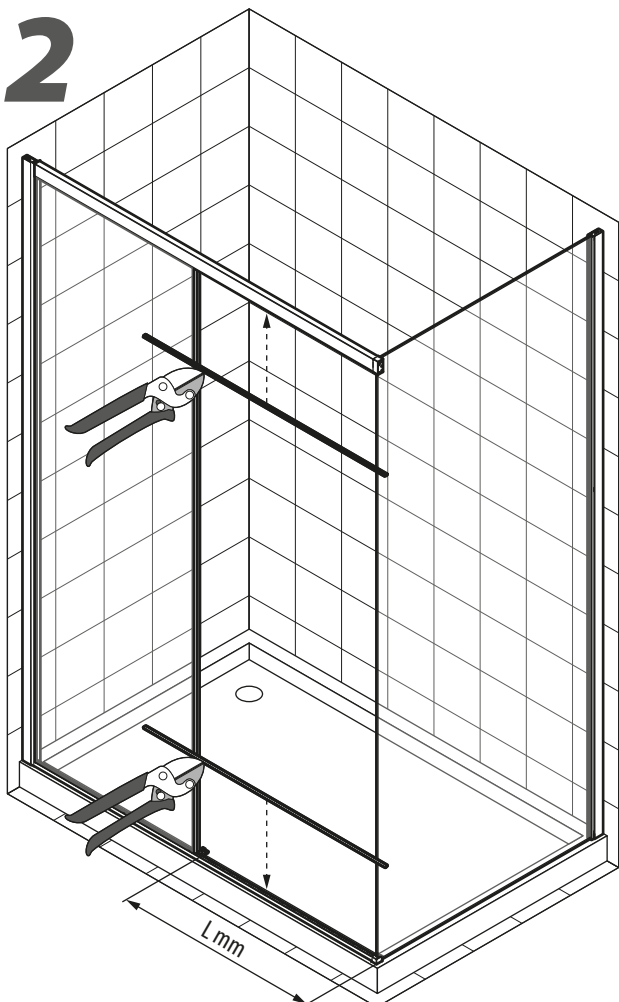
  
3,5x9,5 x2



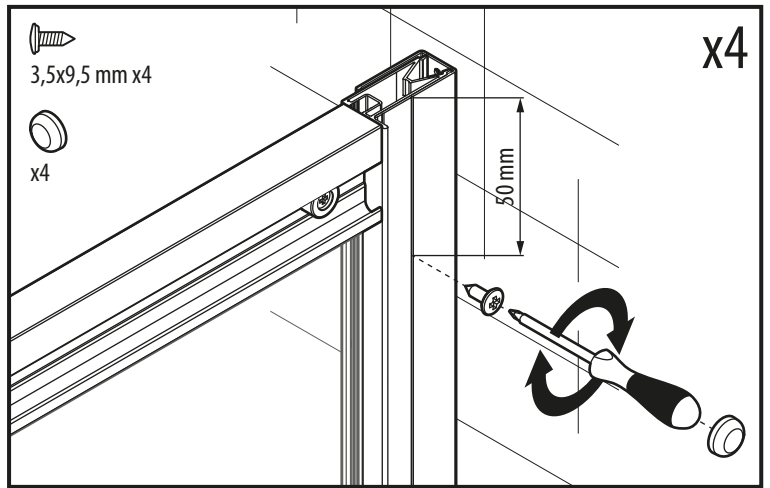
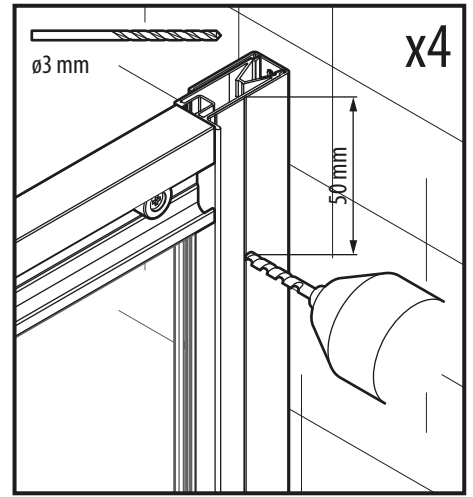
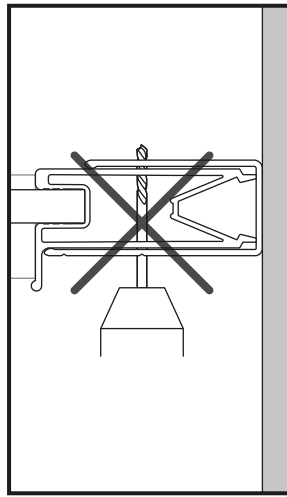
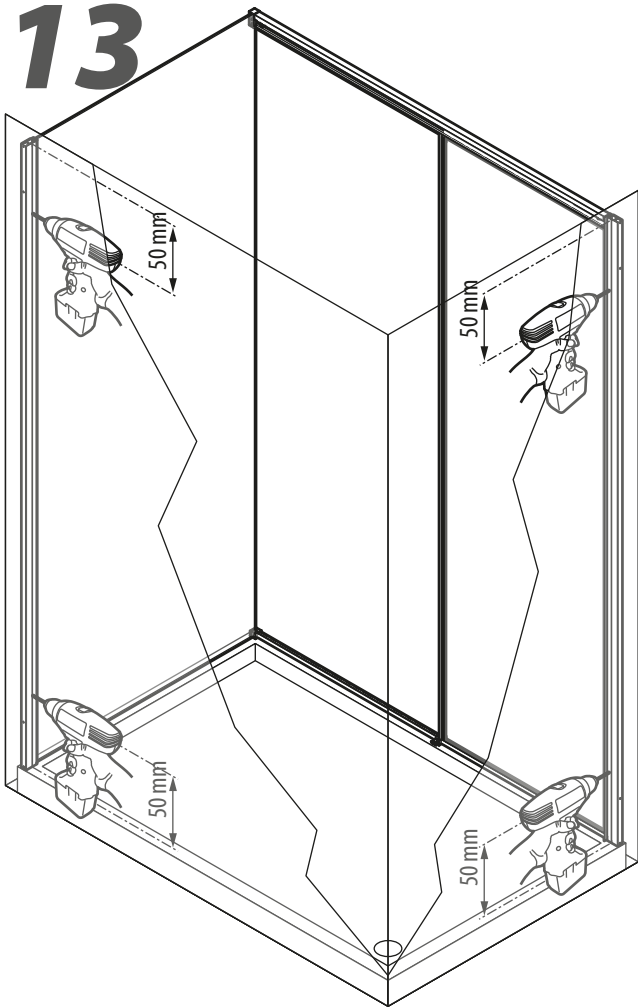
# 11



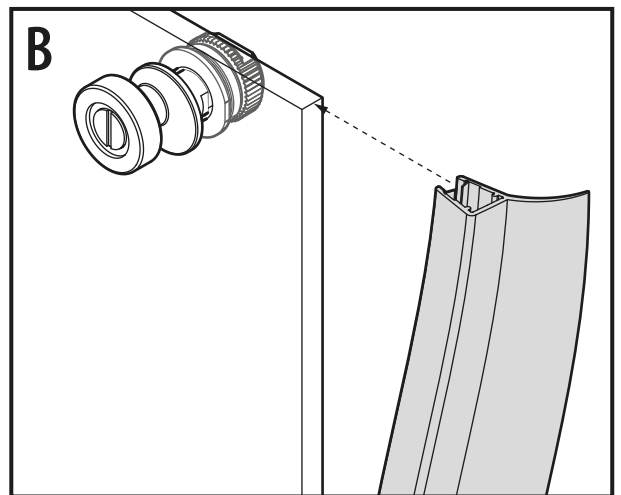
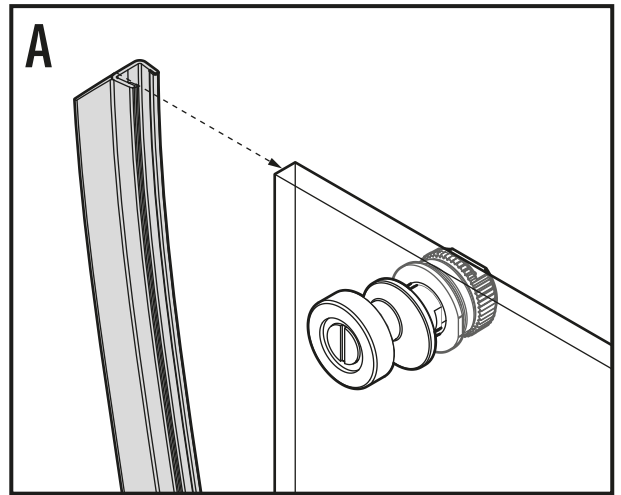
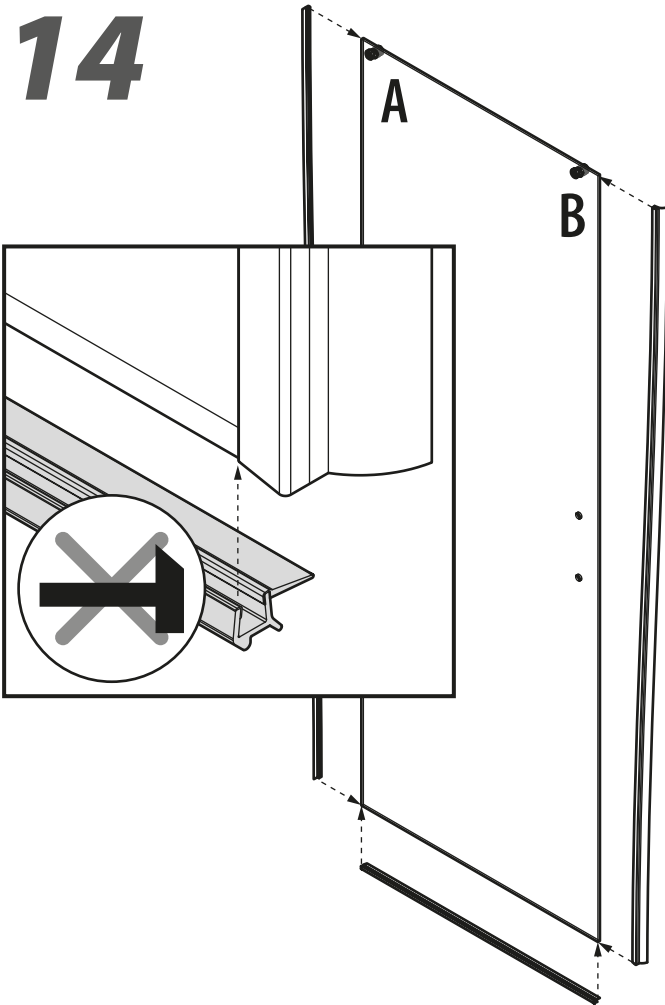
# 12



# 13

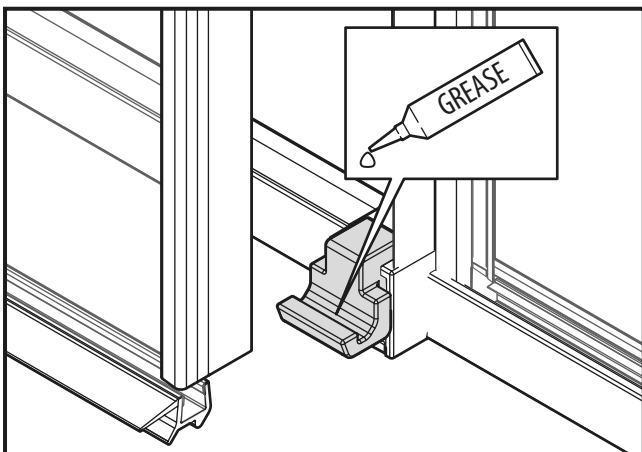
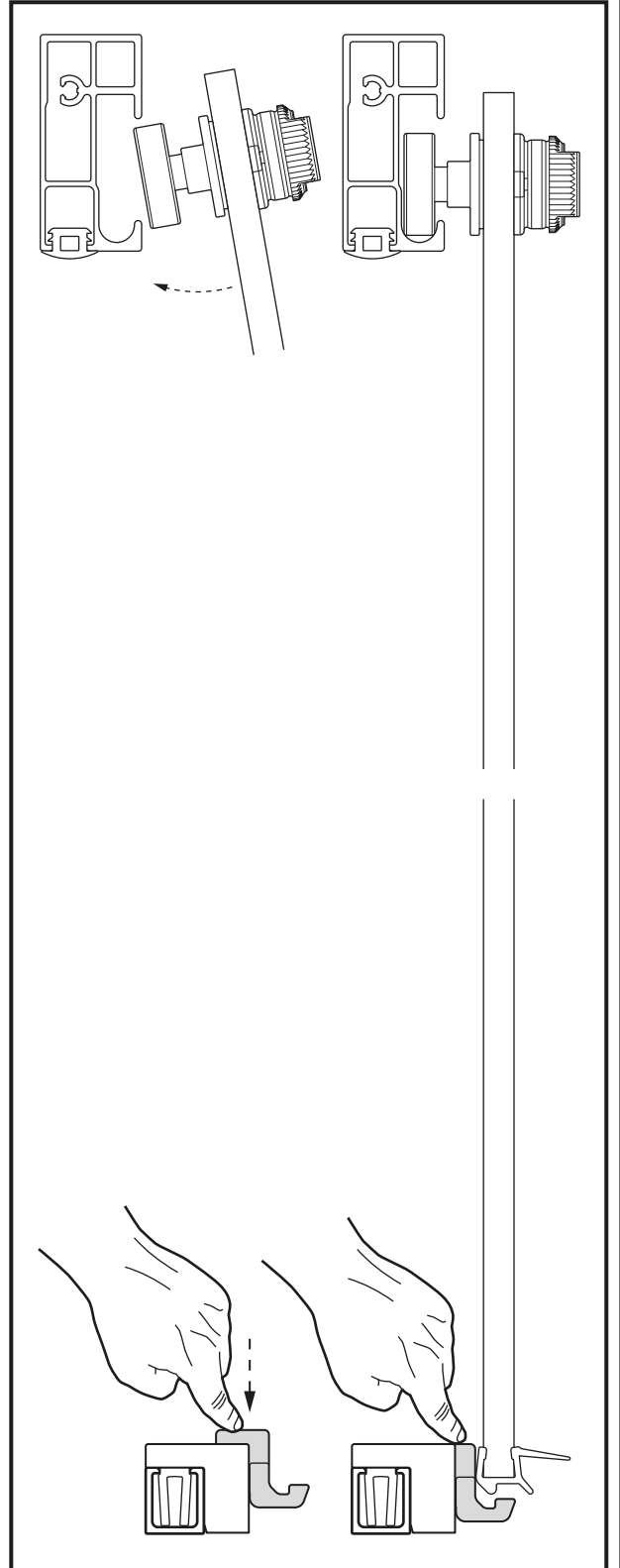
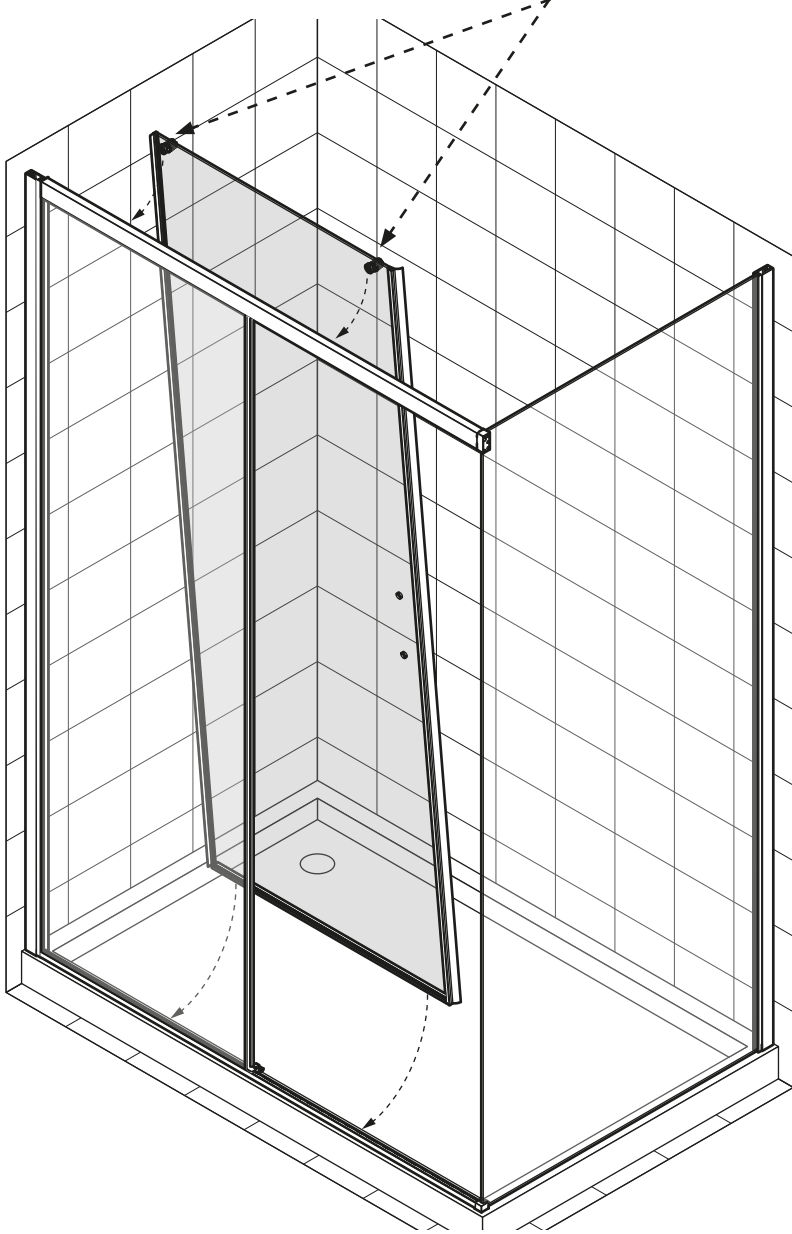
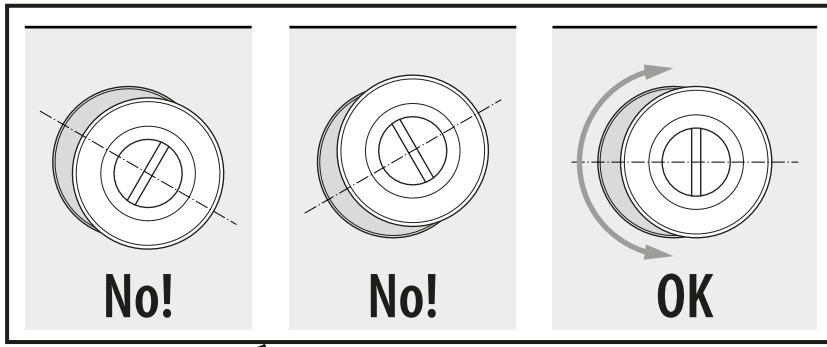


# 14

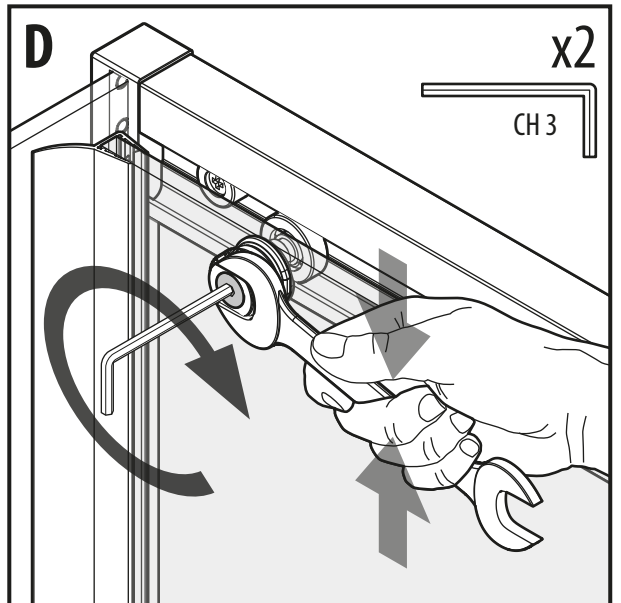
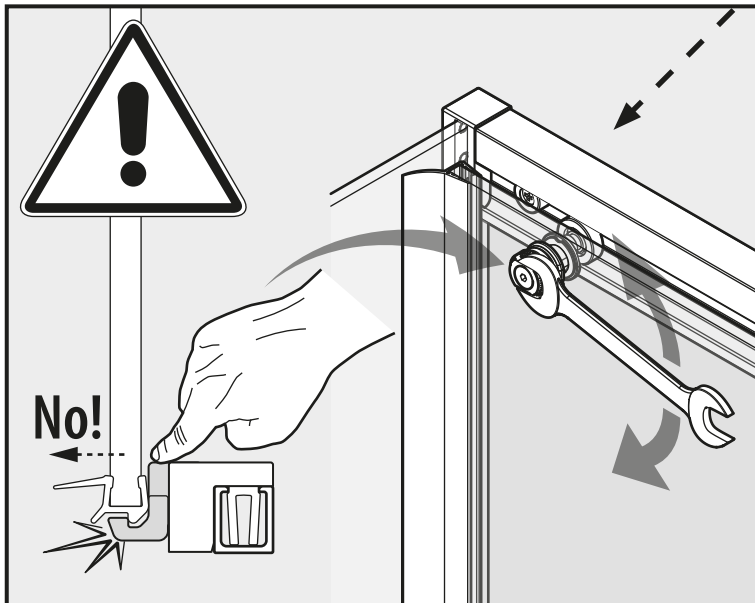
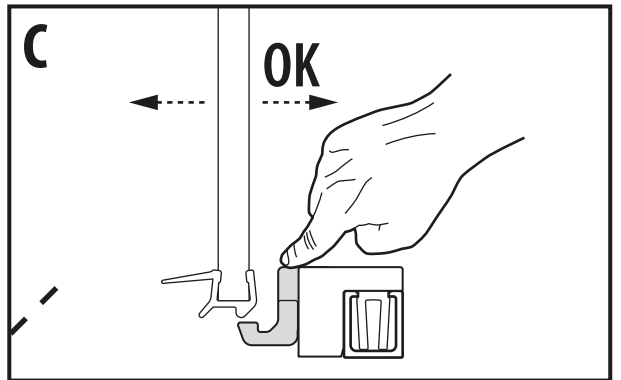
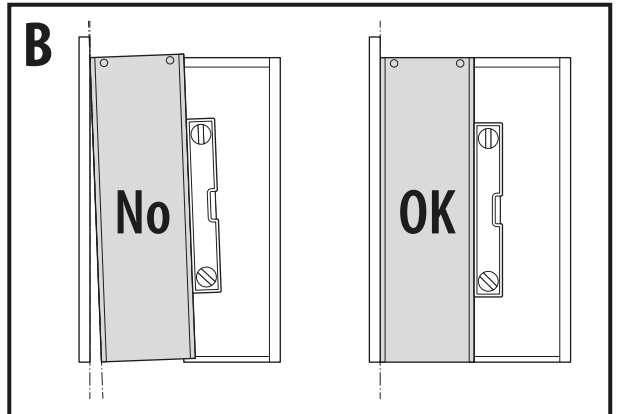
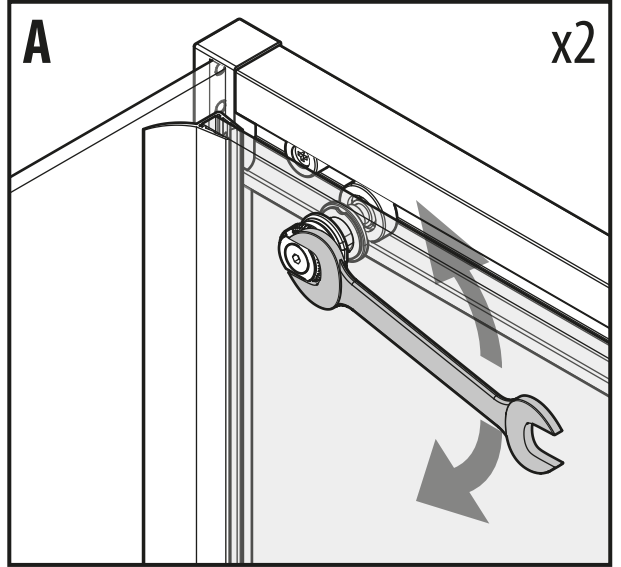
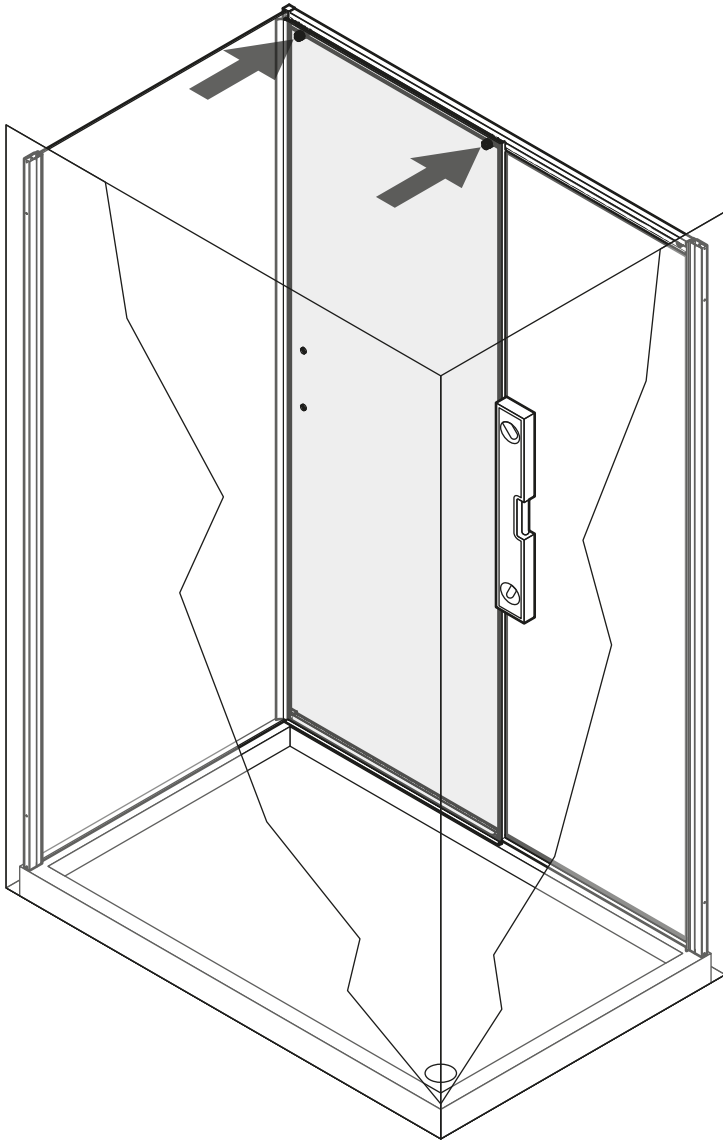




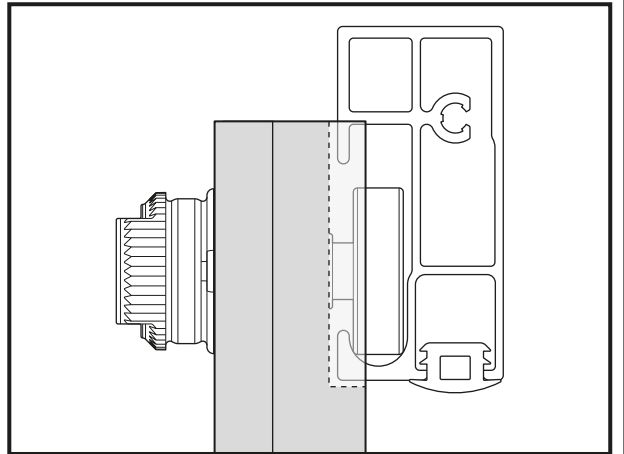
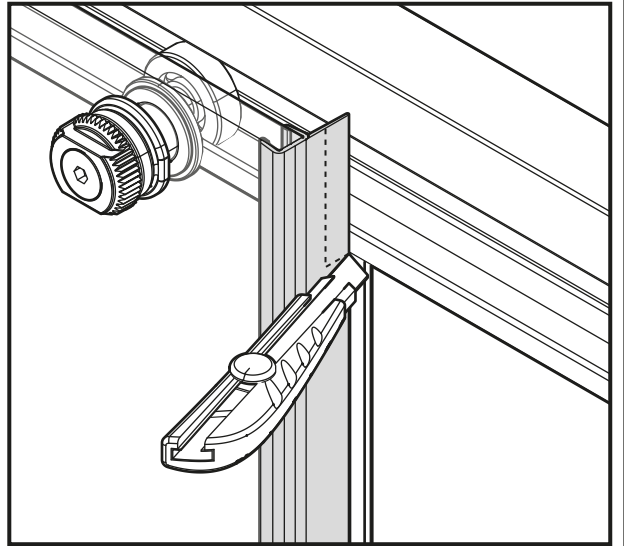
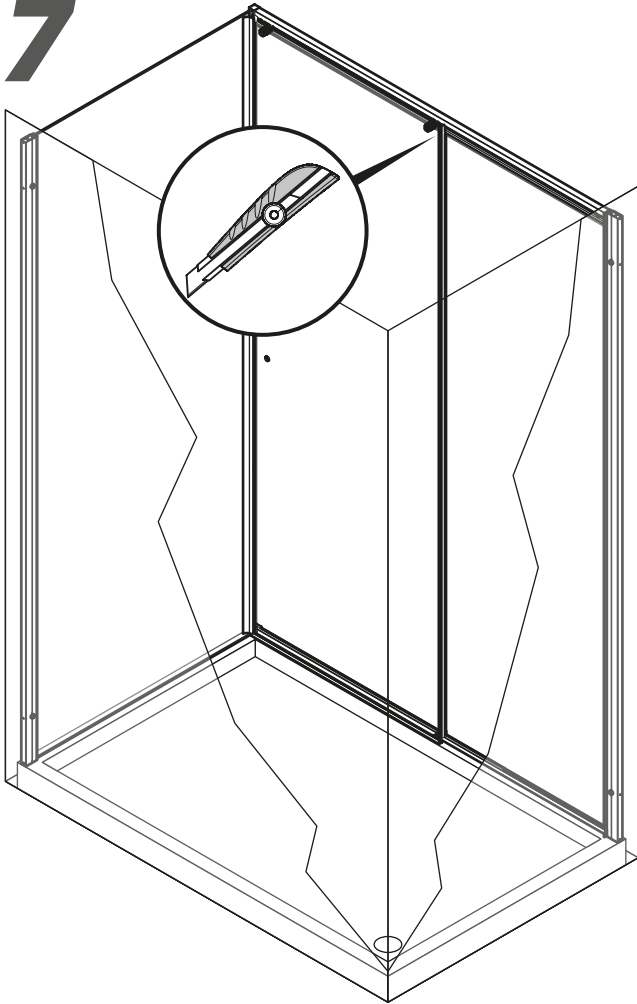
# 15



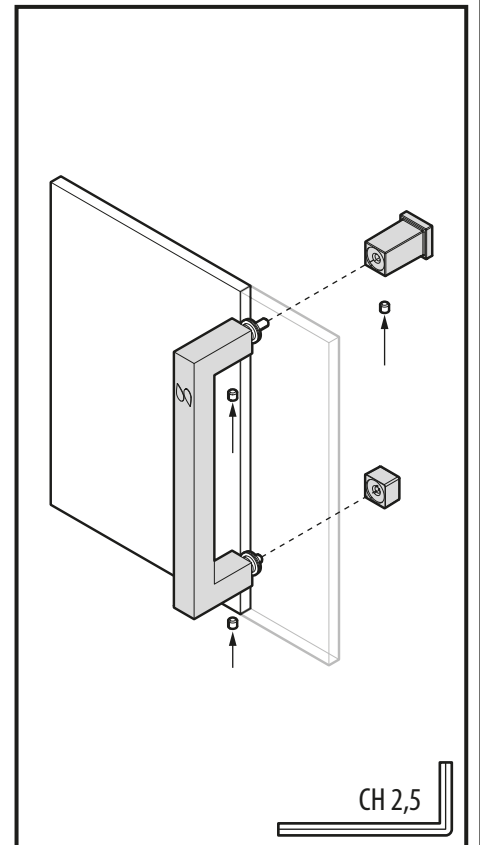
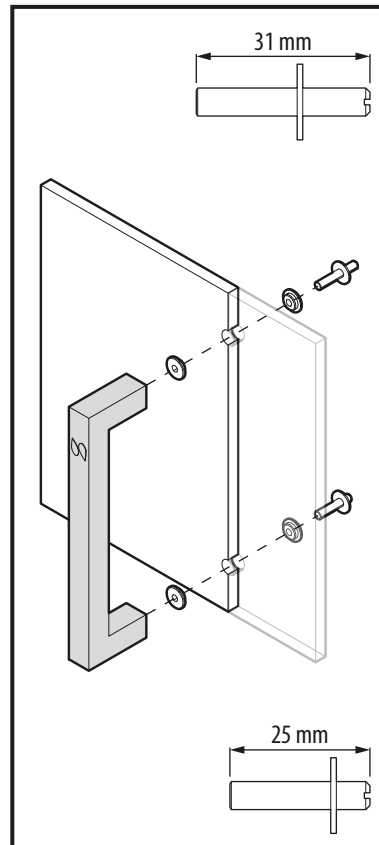
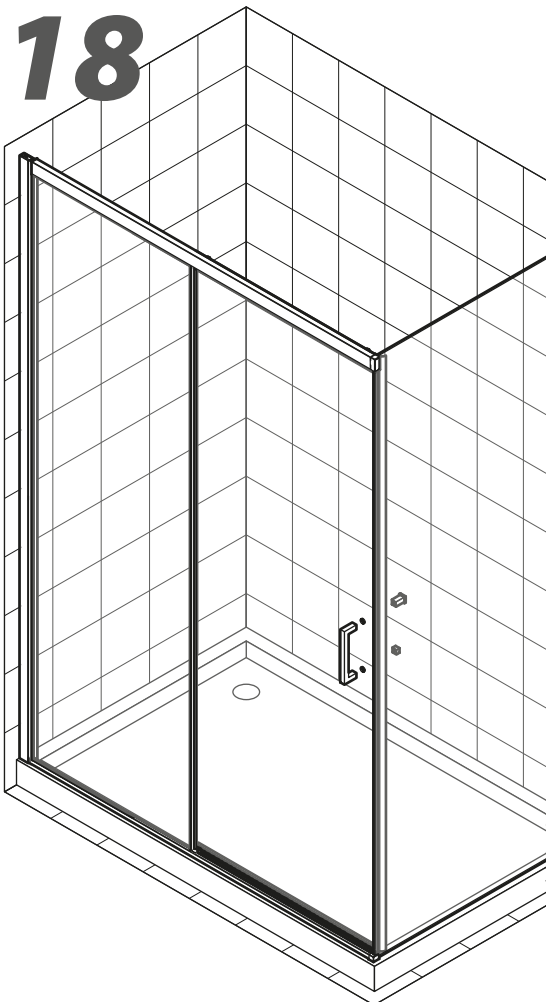
# 16



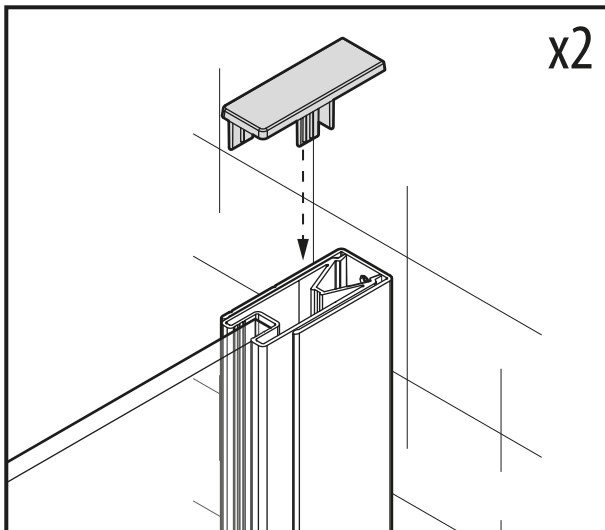
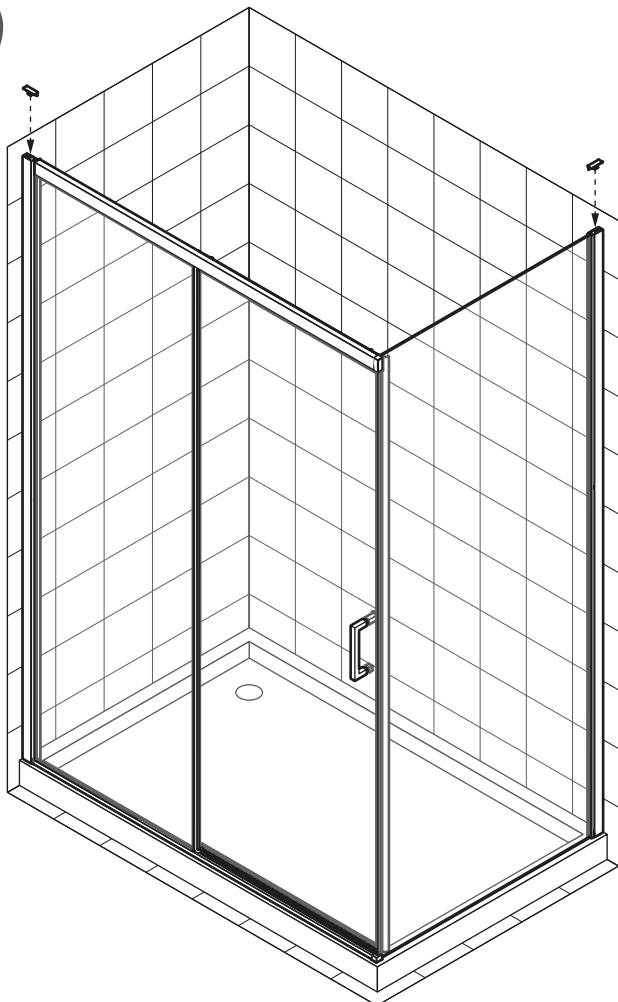
# 17



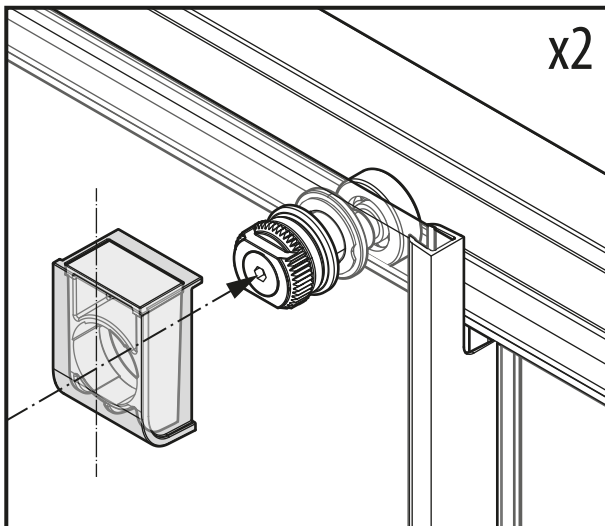
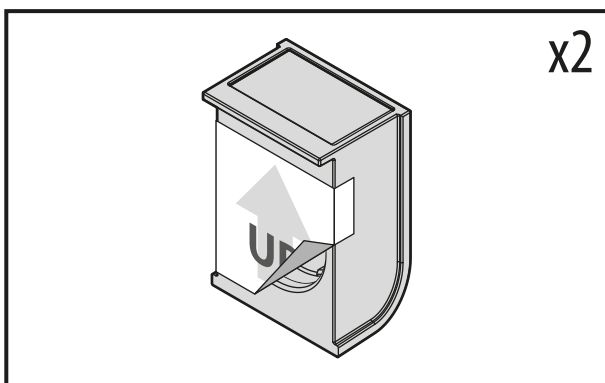
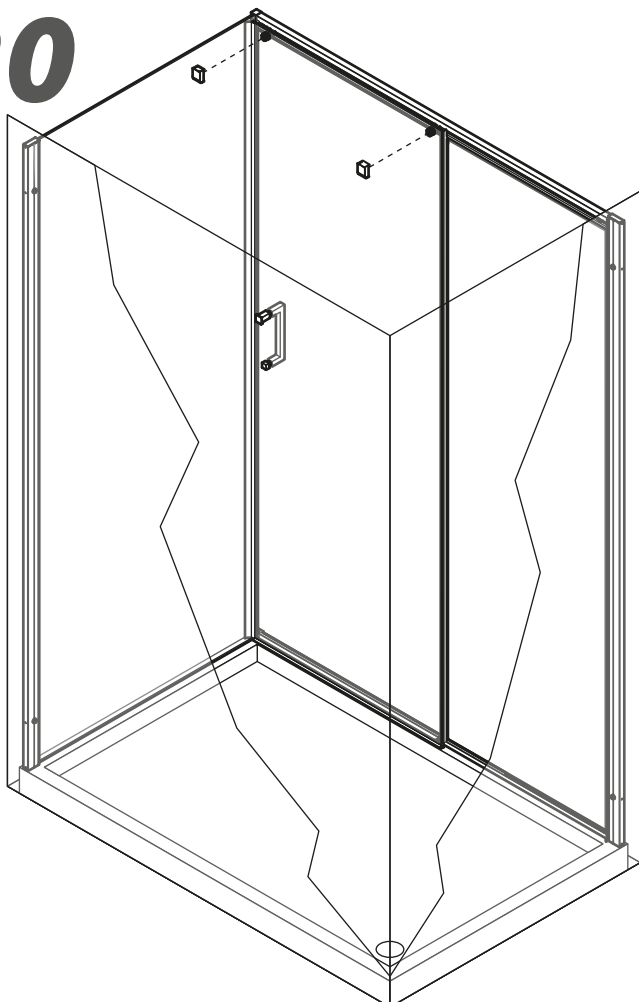
# 18



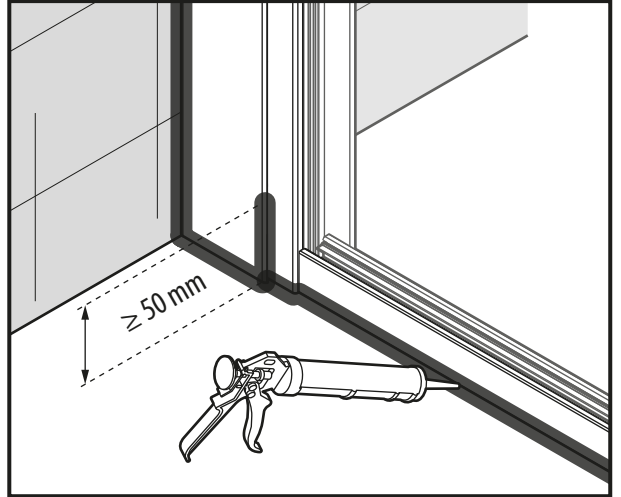
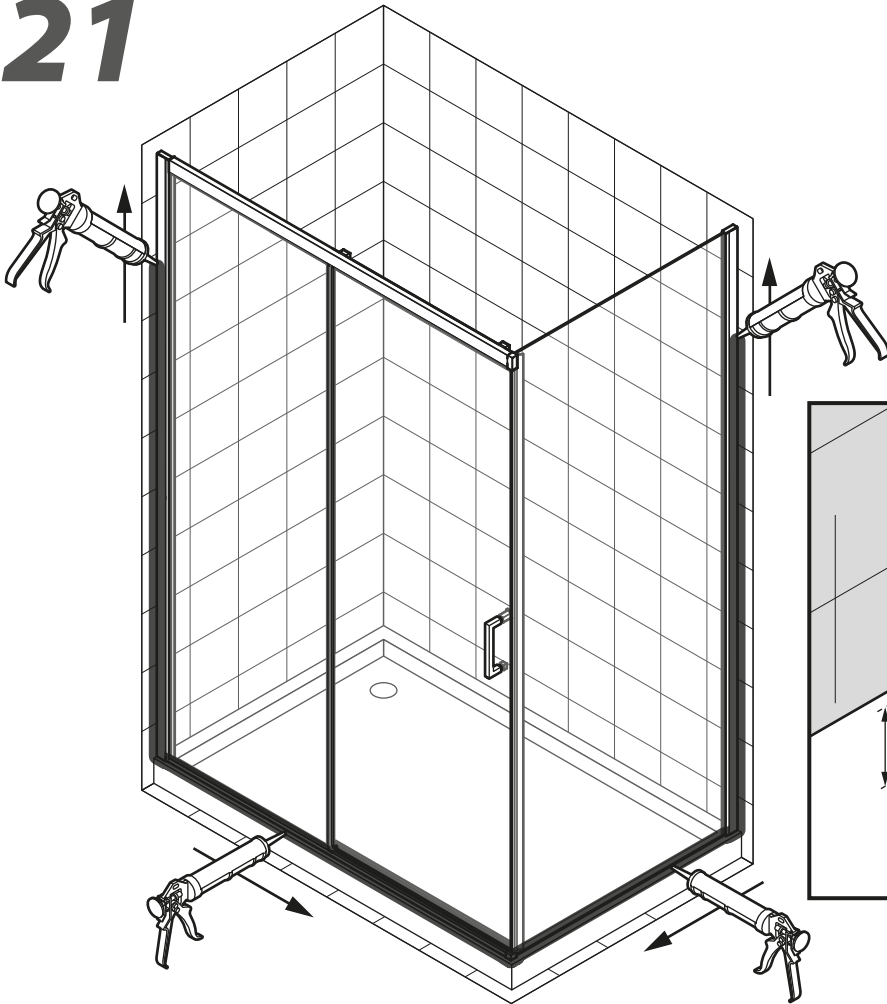
# 19



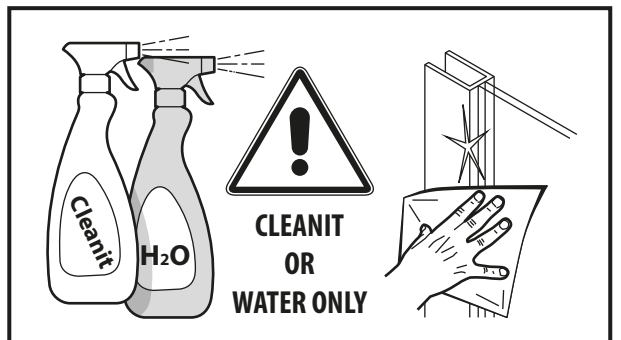
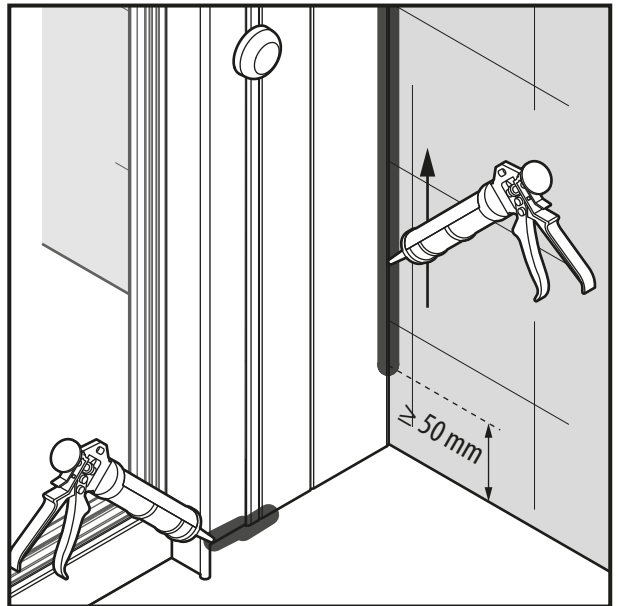
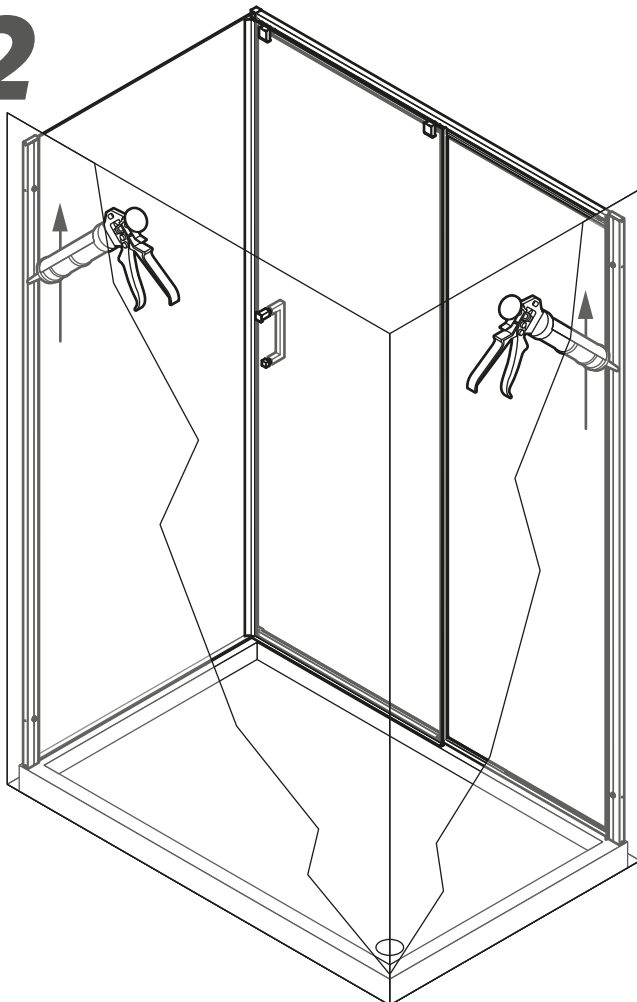
# 20



# 21



# 22





*Note:*

---

---

---

---

---

---

---

---

---

---

---

---

---

---

---

---

---

---

---

---

---

---

---

---

---

---

---

---

---

---

